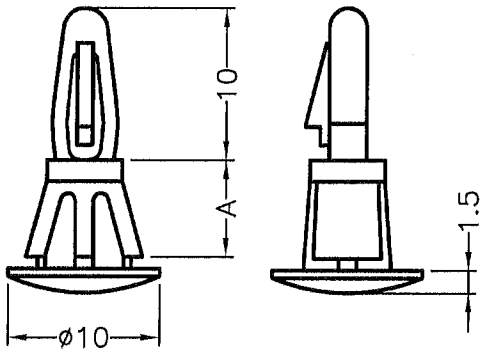


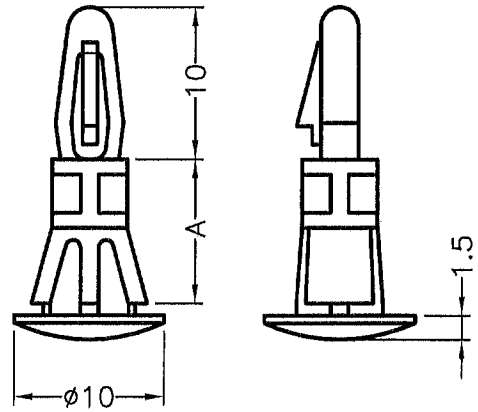
DIM.	TOL.
5mm DOWN	±0.2
5~20mm	±0.3
20~40mm	±0.4
40~60mm	±0.5
60~100mm	±0.8
100mm UP	±1.0

REVISIONS			
REV	DESCRIPTION	DATE	BY

HOLE IN P.C.B $\phi 4.0^{\pm 0.08}$
P.C.B THICKNESS 1.6



HOLE IN P.C.B $\phi 4.0^{\pm 0.08}$
P.C.B THICKNESS 1.6





HOLE IN CHASSIS $\phi 6.0^{\pm 0.08}$
CHASSIS THICKNESS 0.8~1.2

PART NO.	A
RCFL-6.4	6.4

HOLE IN CHASSIS $\phi 6.0^{\pm 0.08}$
CHASSIS THICKNESS 0.8~1.2

PART NO.	A
RCFL-8	8.0
RCFL-9.5	9.5
RCFL-12.7	12.7
RCFL-19	19.0

NOTE: All measurement does not include gate which raises under 0.3mm.

 <p>康揚企業股份有限公司 KANG YANG HARDWARE ENTERPRISE CO., LTD. 康揚塑膠(東莞)有限公司 KANG YANG PLASTIC(DONG GUAN) CO., LTD. 康哲電腦配件(吳江)有限公司 KANG CHE COMPUTER COMPONENTS(WUJIANG) CO., LTD.</p>		TITLE	SPACER SUPPORT	SPEC. DWG.	
		MATERIAL	NYLON 66 UL94V-2	DATE	2009.03.31
		FINISH		DRAWN	Ken
		COLOR	NATURAL	CHECK	
PART NUMBER	SEE ABOVE	DRAWING NUMBER	RCFL-H	UNLESS OTHERWISE SPECIFIED TOLERANCE	SEE ABOVE
SIZE	A4	SCALE	3:1	UNIT	mm
		REV	B	APPROVED	