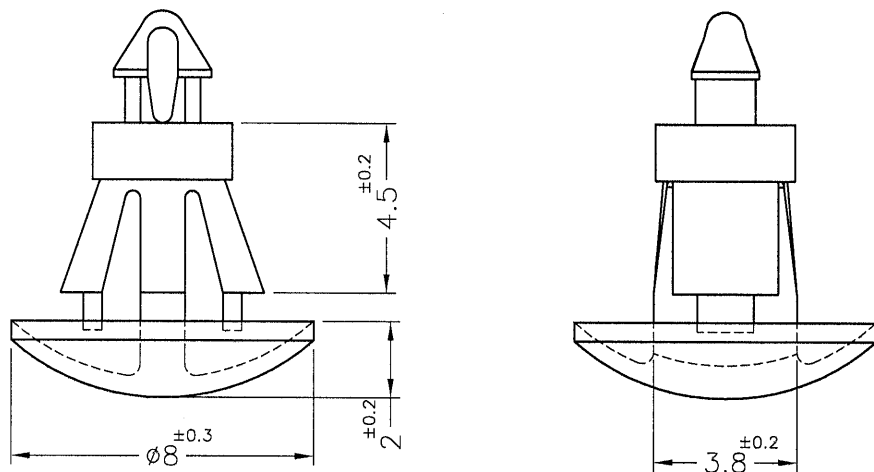


REVISIONS			
REV	DESCRIPTION	DATE	BY

HOLE IN CHASSIS:  $\phi 2.0$   
 CHASSIS THICKNESS: 1.0



HOLE IN CHASSIS:  $\phi 4.0$   
 CHASSIS THICKNESS: 0.8~1.6

- NOTE: 1. SHRINKING IS NORMAL STATUS.  
 內縮為正常現象。  
 2. MADE OF EQUIVALENT MATERIAL.  
 均可使用同等材質。

<p>康揚企業股份有限公司        KANG YANG HARDWARE ENTERPRISE CO., LTD.        康揚塑膠(東莞)有限公司        KANG YANG PLASTIC(DONG GUAN) CO., LTD.        康哲電腦配件(吳江)有限公司        KANG CHE COMPUTER COMPONENTS(WUJIANG) CO., LTD.</p>	TITLE		SPEC. DWG.	
	SPACER SUPPORT		MATERIAL	DATE
	NYLON 66 UL94V-2		FINISH	2016.11.18
	NATURAL		DRAWN	C. S. L
PART NUMBER	DRAWING NUMBER	COLOR	CHECK	
RCAB-4.5S	RCAB-4.5S	NATURAL	薛梅	
SIZE	SCALE	UNIT	REV	APPROVED
A4	5:1	mm	A	Kang
		UNLESS OTHERWISE SPECIFIED TOLERANCE	SEE ABOVE	