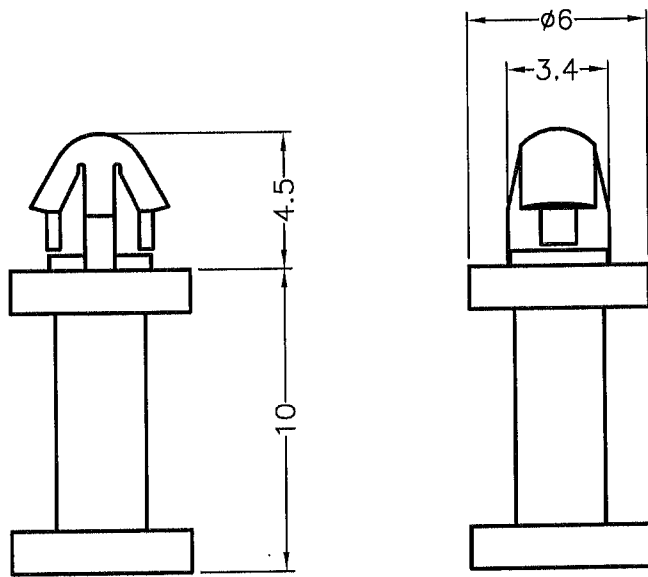



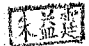
DIM.	TOL
L≤10	±0.2
10<L≤30	±0.3
30<L≤50	±0.5
50<L≤100	±0.7
100<L≤250	±1.2
ABOVE 250	±1.5

REVISIONS			
REV	DESCRIPTION	DATE	BY

HOLE IN P.C.B $\phi 3.5$
P.C.B THICKNESS 1.8



NOTE: All measurement does not include gate which raises under 0.3mm.

 康揚企業股份有限公司 KANG YANG HARDWARE ENTERPRISE CO., LTD. 康揚塑膠(東莞)有限公司 KANG YANG PLASTIC(DONG GUAN) CO., LTD. 康哲電腦配件(吳江)有限公司 KANG CHE COMPUTER COMPONENTS(WUJIANG) CO., LTD.				TITLE	SPACER SUPPORT	TITLE	SPEC. DWG.
				MATERIAL	NYLON 66 UL94V-2	DATE	2010.11.15
PART NUMBER				PDC-10	DRAWING NUMBER		PDC-10
SIZE	A4	SCALE	4:1	UNIT	mm	REV	B
COLOR				NATURAL	DRAWN		ROBERT
HARDNESS					CHECK		
UNLESS OTHERWISE SPECIFIED TOLERANCE				SEE ABOVE	APPROVED		