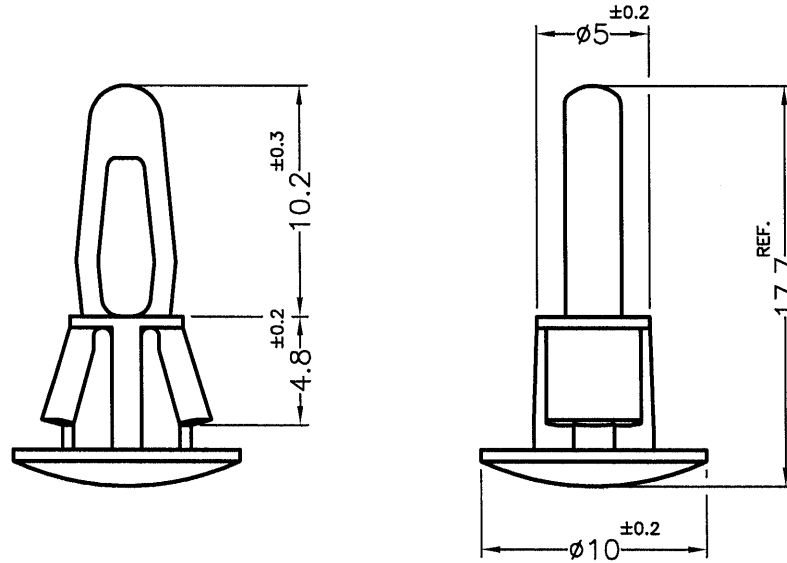


REVISIONS			
REV	DESCRIPTION	DATE	BY

HOLE IN P.C.B $\phi 4.0$
P.C.B THICKNESS 1.6mm



MOUNTING HOLE $\phi 5.5$
CHASSIS THICKNESS 1.0~1.7mm

PART NO.	MATERIAL	COLOR
PCBT-4.8	NYLON 66 UL94V-2	NATURAL
PCBT-4.8(B)		BLACK
PCBT-4.8V0	NYLON 66 UL94V-0	NATURAL(WHITE)
PCBT-4.8V0(B)		BLACK

NOTE:1. SHRINKING IS NORMAL STATUS.

內縮為正常現象.

2. MADE OF EQUIVALENT MATERIAL.

均可使用同等材質.

<p>康揚企業股份有限公司 KANG YANG HARDWARE ENTERPRISE CO., LTD. 康揚塑膠(東莞)有限公司 KANG YANG PLASTIC(DONG GUAN) CO., LTD. 康哲電腦配件(吳江)有限公司 KANG CHE COMPUTER COMPONENTS(WUJIANG) CO., LTD.</p>				TITLE	SPEC. DWG.
				MATERIAL	DATE
				FINISH	DRAWN
				COLOR	CHECK
PART NUMBER	DRAWING NUMBER	UNLESS OTHERWISE SPECIFIED TOLERANCE	APPROVED		
SEE ABOVE	PCBT-4.8	SEE ABOVE			
SIZE	SCALE	UNIT	REV		
A4	2:1	mm	B		