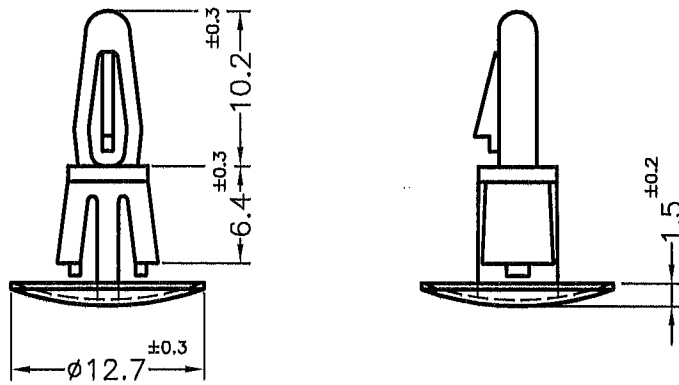


REVISIONS			
REV	DESCRIPTION	DATE	BY

HOLE IN CHASSIS $\phi 4$
CHASSIS THICKNESS 1.6mm



HOLE IN CHASSIS $\phi 5.4$
CHASSIS THICKNESS 12~2.0mm

NOTE: 1. SHRINKING IS NORMAL STATUS.
內縮為正常現象。
2. MADE OF EQUIVALENT MATERIAL.
均可使用同等材質。

<p>康揚企業股份有限公司 KANG YANG HARDWARE ENTERPRISE CO., LTD. 康揚塑膠(東莞)有限公司 KANG YANG PLASTIC(DONG GUAN) CO., LTD. 康哲電腦配件(吳江)有限公司 KANG CHE COMPUTER COMPONENTS(WUJIANG) CO., LTD.</p>				TITLE	SPACER SUPPORT	SPEC. DWG.	
				MATERIAL	NYLON 66 UL94V-2	DATE	2007.04.24
				FINISH		DRAWN	BUNNY
				COLOR	NATURAL	CHECK	
PART NUMBER	PCBS-6.4	DRAWING NUMBER	PCBS-6.4	UNLESS OTHERWISE SPECIFIED TOLERANCE	SEE ABOVE	APPROVED	
SIZE	A4	SCALE	2:1	UNIT	mm	REV	A