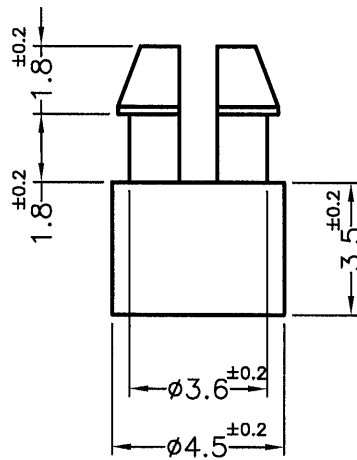





REVISIONS			
REV	DESCRIPTION	DATE	BY

MOUNTING HOLE $\phi 3.9$
 CHASSIS THICKNESS 1.6mm



NOTE:MADE OF EQUIVALENT MATERIAL.
 可使用同等材質

 <p>康揚企業股份有限公司 KANG YANG HARDWARE ENTERPRISE CO., LTD. 康揚塑膠(東莞)有限公司 KANG YANG PLASTIC(DONG GUAN) CO., LTD. 康哲電腦配件(吳江)有限公司 KANG CHE COMPUTER COMPONENTS(WUJIANG) CO., LTD.</p>				TITLE	SPACER SUPPORT	SPEC. DWG	
				MATERIAL	NYLON 66 UL94V-2	DATE	2015.12.16
				FINISH		DRAWN	LUKE
				COLOR	NATURAL	CHECK	
PART NUMBER	MSMA-3.5	DRAWING NUMBER	MSMA-H	UNLESS OTHERWISE SPECIFIED TOLERANCE	SEE ABOVE	APPROVED	
SIZE	A4	SCALE	5:1	UNIT	mm	REV	A