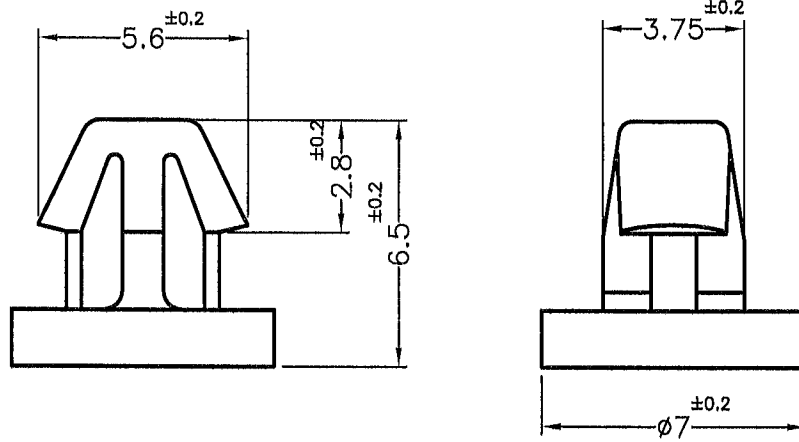


DIM.	TOL.
L≤10	±0.2
10<L≤30	±0.3
30<L≤50	±0.5
50<L≤100	±0.7
100<L≤250	±1.2
ABOVE 250	±1.5


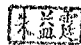

REVISIONS			
REV	DESCRIPTION	DATE	BY

HOLE IN P.C.B  $\phi 4$   
P.C.B THICKNESS 1.6~1.9mm



PART NO.	COLOR
MCEA-1.9V0	NATURAL(WHITE)
MCEA-1.9V0(W)	WHITE

NOTE:MADE OF EQUIVALENT MATERIAL.  
均可使用同等材質.

 <p>康揚企業股份有限公司 KANG YANG HARDWARE ENTERPRISE CO., LTD. 康揚塑膠(東莞)有限公司 KANG YANG PLASTIC(DONG GUAN) CO., LTD. ISO 9001 ISO 14001 90 080000 康哲電腦配件(吳江)有限公司 KANG CHE COMPUTER COMPONENTS(WUJIANG) CO., LTD.</p>		TITLE	SPACE SUPPORT	SPEC. DWG.			
		MATERIAL	NYLON 66 UL94V-0	DATE	2015.07.06		
		FINISH		DRAWN	Y.C.P		
		COLOR	SEE ABOVE	CHECK			
PART NUMBER	SEE ABOVE	DRAWING NUMBER	MCEA-1.9	UNLESS OTHERWISE SPECIFIED TOLERANCE	SEE ABOVE	APPROVED	
SIZE	A4	SCALE	5:1	UNIT	mm	REV	A