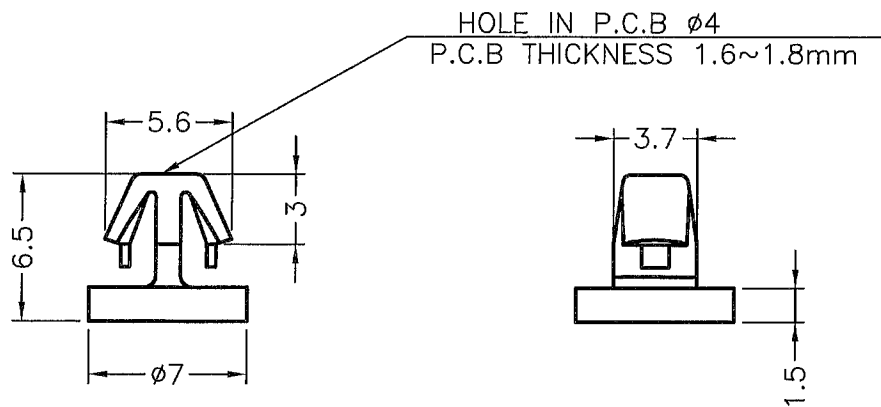
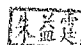


DIM	TOL
5mmDOWN	±0.2
5~20mm	±0.3
20~40mm	±0.4
40~60mm	±0.5
60~100mm	±0.8
100mmUP	±1.0

REVISIONS			
REV	DESCRIPTION	DATE	BY




康揚企業股份有限公司
 KANG YANG HARDWARE ENTERPRISE CO., LTD.
康揚塑膠(東莞)有限公司
 KANG YANG PLASTIC(DONG GUAN) CO., LTD.
康哲電腦配件(吳江)有限公司
 KANG CHE COMPUTER COMPONENTS(WUJIANG) CO., LTD.

TITLE	SPACE SUPPORT	SPEC. DWG.
MATERIAL	PC UL94V-0	DATE 2012.05.25
FINISH		DRAWN T.C
COLOR	NATURAL(WHITE)	CHECK 
PART NUMBER	MCE-1.9PCV0	APPROVED <i>Kang</i>
SIZE	A4	
SCALE	3:1	
UNIT	mm	
REV	A	
UNLESS OTHERWISE SPECIFIED TOLERANCE		SEE ABOVE