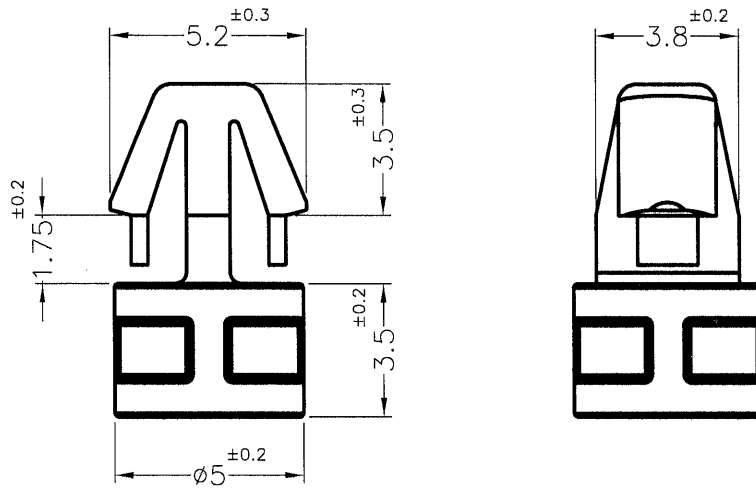


HOLE IN PCB:  $\phi 4.0\text{mm}$   
 PCB THICKNESS: 1.2~1.6mm



PART NO.	MATERIAL	COLOR
MC-3.5-1	NYLON 66 UL94V-2	NATURAL
MC-3.5-1V0	NYLON 66 UL94V-0	NATURAL(WHITE)

NOTE: 1. SHRINKING IS NORMAL STATUS.  
 內縮為正常現象。  
 2. MADE OF EQUIVALENT MATERIAL.  
 均可使用同等材質。



康揚企業股份有限公司  
 KANG YANG HARDWARE ENTERPRISE CO., LTD.  
 康揚塑膠(東莞)有限公司  
 KANG YANG PLASTIC(DONG GUAN)CO.,LTD.  
 康哲電腦配件(吳江)有限公司  
 KANG CHE COMPUTER COMPONENTS(WUJIANG)CO.,LTD.

PROPRIETARY AND CONFIDENTIAL THE INFORMATION CONTAINED IN THIS DRAWING IS THE SOLE PROPERTY OF KANG YANG HARDWARE ENTERPRISE CO. ANY REPRODUCTION IN PART OR AS A WHOLE WITHOUT THE WRITTEN PERMISSION OF KANG YANG HARDWARE ENTERPRISE CO. IS PROHIBITED. DO NOT SCALE DRAWING	DATE	2017.05.22	TITLE	SPACER SUPPORT		DWG. NO.	MC-3.5-1		PART NO.	SEE ABOVE	
	DRAWN	C.S.L	MATERIAL	SEE ABOVE		SIZE	A4		SPEC. DWG.	REV	
	CHECKED		COLOR	SEE ABOVE	FINISH			SPEC. DWG.		B	
	APPROVED		UNLESS OTHERWISE SPECIFIED TOLERANCE:		SEE ABOVE		SCALE:	5:1	UNIT	mm	SHEET 1 OF 1