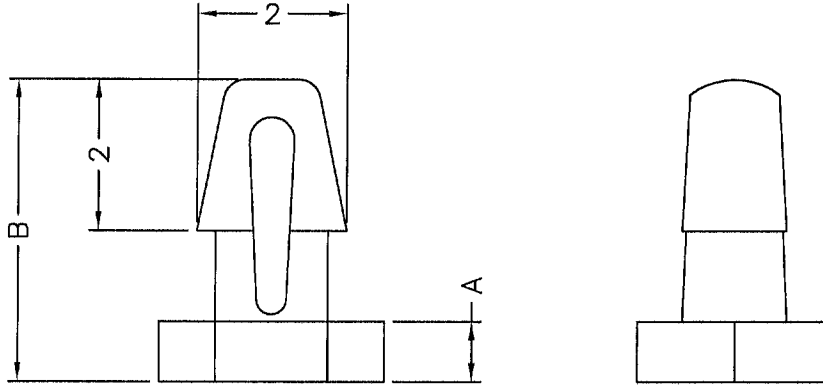


DIM.	TOL.
L ≤ 10	±0.2
10 < L ≤ 30	±0.3
30 < L ≤ 50	±0.5
50 < L ≤ 100	±0.7
100 < L ≤ 250	±1.2
ABOVE 250	±1.5


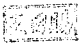
REVISIONS			
REV	DESCRIPTION	DATE	BY

HOLE IN P.C.B $\phi 1.5$
P.C.B THICKNESS 1.0



PART NO.	A	B
MASD-0.8	0.8	4.0
MASD-2	2.0	5.2

NOTE: All measurement does not include gate which raises under 0.3mm.

 <p>康揚企業股份有限公司 KANG YANG HARDWARE ENTERPRISE CO., LTD. 康揚塑膠(東莞)有限公司 KANG YANG PLASTIC(DONG GUAN) CO., LTD. 康哲電腦配件(吳江)有限公司 KANG CHE COMPUTER COMPONENTS(WUJIANG) CO., LTD.</p>		TITLE SPACER SUPPORT	SPEC. DWG.
		MATERIAL NYLON 66 UL94-2	DATE 2013.01.10
		FINISH	DRAWN Lyu
		COLOR NATURAL	CHECK 
PART NUMBER SEE ABOVE	DRAWING NUMBER MASD-H	UNLESS OTHERWISE SPECIFIED TOLERANCE SEE ABOVE	
SIZE A4	SCALE 10:1	UNIT mm	REV B
		APPROVED 