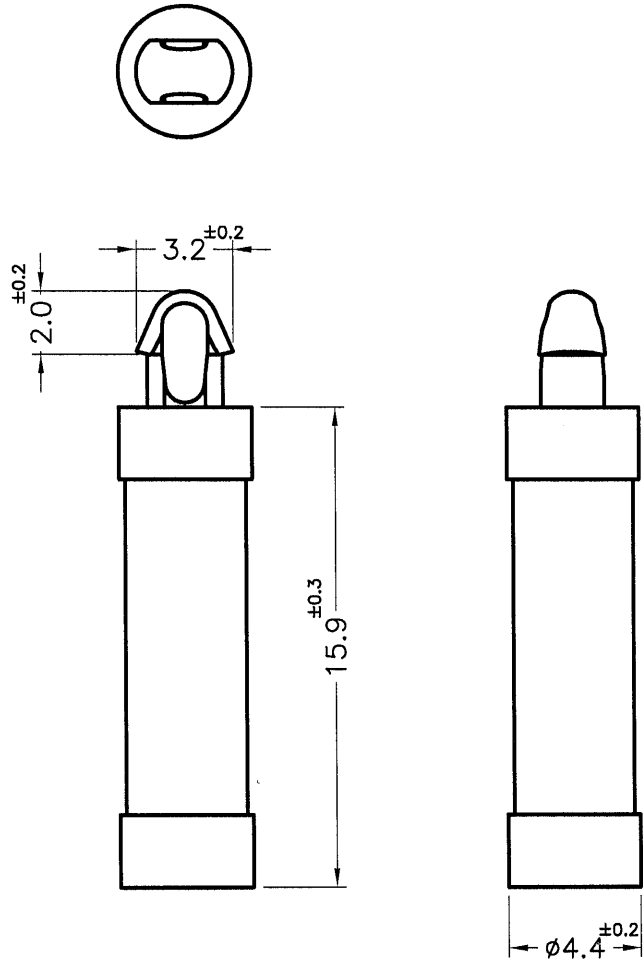



REVISIONS			
REV	DESCRIPTION	DATE	BY



HOLE IN P.C.B ϕ 2.5mm
P.C.B THICKNESS 1.6mm

NOTE: MADE OF EQUIVALENT MATERIAL.
均可使用同等材質.

 <p>康揚企業股份有限公司 KANG YANG HARDWARE ENTERPRISE CO., LTD. 康揚塑膠(東莞)有限公司 KANG YANG PLASTIC(DONG GUAN) CO., LTD. 康哲電腦配件(吳江)有限公司 KANG CHE COMPUTER COMPONENTS(WUJIANG) CO., LTD.</p>				TITLE	SPACER SUPPORT	SPEC. DWG.	
				MATERIAL	NYLON 66 UL94V-2	DATE	2012.08.28
				FINISH		DRAWN	ALBERT
				COLOR	NATURAL	CHECK	<u>Will</u>
PART NUMBER	MAM-15.9	DRAWING NUMBER	MAM-15.9	UNLESS OTHERWISE SPECIFIED TOLERANCE	SEE ABOVE	APPROVED	<i>Kang</i>
SIZE	A4	SCALE	4:1	UNIT	mm	REV	A