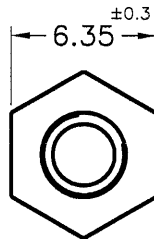
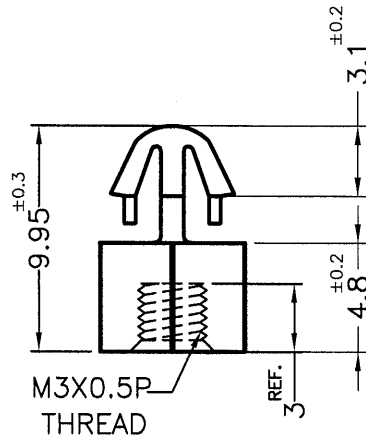



REVISIONS			
REV	DESCRIPTION	DATE	BY

HOLE IN P.C.B $\phi 4$
P.C.B THICKNESS 1.85mm



NOTE:MADE OF EQUIVALENT MATERIAL.
使用同等材質

 <p>康揚企業股份有限公司 KANG YANG HARDWARE ENTERPRISE CO., LTD. 康揚塑膠(東莞)有限公司 KANG YANG PLASTIC(DONG GUAN)CO.,LTD. 康哲電腦配件(吳江)有限公司 KANG CHE COMPUTER COMPONENTS(WUJIANG) CO.,LTD.</p>		TITLE	SPACER SUPPORT	SPEC. DWG.							
		MATERIAL	NYLON 66 UL94V-0	DATE	2016.10.06						
		FINISH		DRAWN	T.C						
		COLOR	BLACK	CHECK	薛梅						
PART NUMBER	MAE43-4.8LTV0B	DRAWING NUMBER	MAE43-HLTV0								
SIZE	A4	SCALE	3:1	UNIT	mm	REV	A	UNLESS OTHERWISE SPECIFIED TOLERANCE	SEE ABOVE	APPROVED	Kang