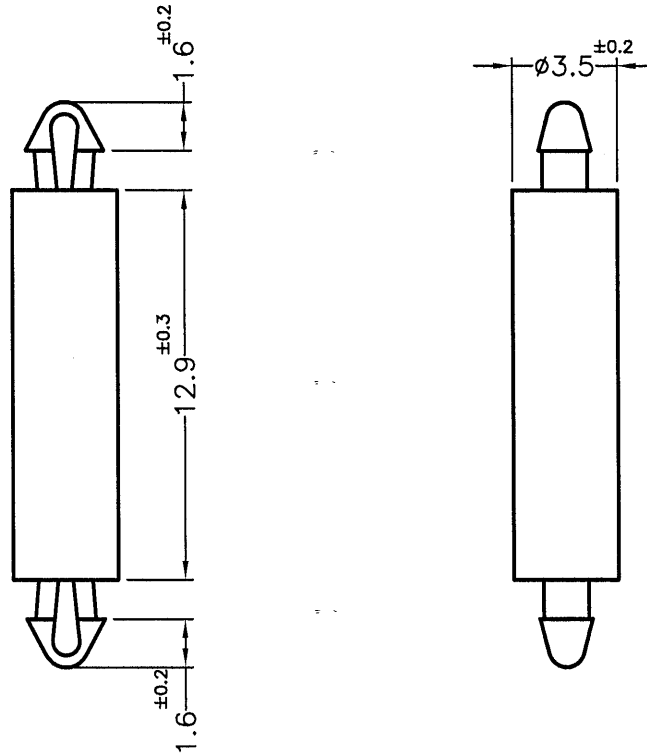




REVISIONS			
REV	DESCRIPTION	DATE	BY

HOLE IN P.C.B  $\phi 2.0\text{mm}$   
P.C.B THICKNESS 1.0~1.2mm



HOLE IN P.C.B  $\phi 2.0\text{mm}$   
P.C.B THICKNESS 1.0~1.2mm

NOTE:MADE OF EQUIVALENT MATERIAL.  
均可使用同等材質.

 <p>康揚企業股份有限公司 KANG YANG HARDWARE ENTERPRISE CO., LTD. 康揚塑膠(東莞)有限公司 KANG YANG PLASTIC(DONG GUAN) CO., LTD. 康哲電腦配件(吳江)有限公司 KANG CHE COMPUTER COMPONENTS(WUJIANG) CO., LTD.</p>		TITLE	SPACER SUPPORT	SPEC. DWG.	
		MATERIAL	NYLON 66 UL94V-0	DATE	2018.08.17
		FINISH		DRAWN	L.K.J.
		COLOR	NATURAL(WHIT)	CHECK	
PART NUMBER	MAD1.2-12.9V0	DRAWING NUMBER	MAD1.2-12.9	UNLESS OTHERWISE SPECIFIED TOLERANCE	SEE ABOVE
SIZE	A4	SCALE	4:1	UNIT	mm
REV	A	APPROVED	