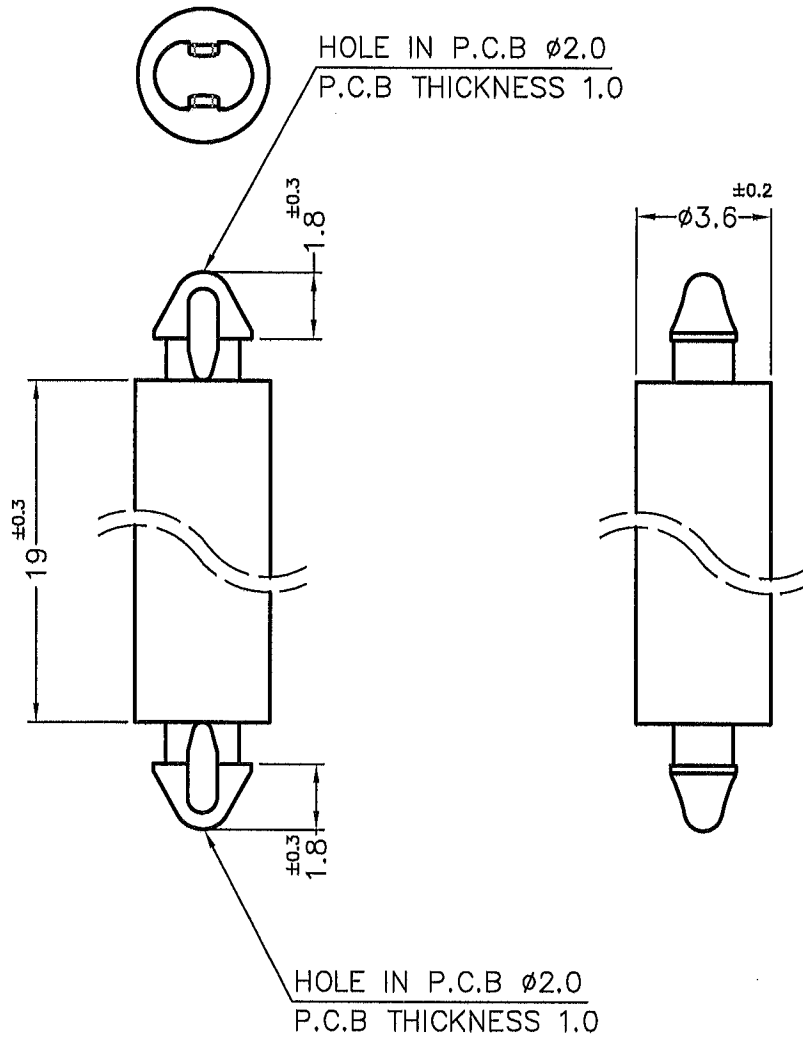





REVISIONS			
REV	DESCRIPTION	DATE	BY



NOTE: 1. ALL MEASUREMENT DOES NOT INCLUDE GATE WHICH RAISES UNDER 0.3mm.
 所有尺寸量測皆不含進膠口, 膠口凸出0.3mm之內.
 2. MADE OF EQUIVALENT MATERIAL.
 均可使用同等材質.

 康揚企業股份有限公司 KANG YANG HARDWARE ENTERPRISE CO., LTD. 康揚塑膠(東莞)有限公司 KANG YANG PLASTIC(DONG GUAN) CO., LTD. 康哲電腦配件(吳江)有限公司 KANG CHE COMPUTER COMPONENTS(WUJIANG) CO., LTD.				TITLE	SPEC. DWG.
				SPACER SUPPORT	
PART NUMBER		DRAWING NUMBER	MATERIAL	DATE	
MAD1-19		MAD1-H	NYLON 66 UL94V-2	2015.07.08	
SIZE	SCALE	UNIT	FINISH	DRAWN	
A4	NONE	mm		ROBERT	
REV		COLOR	CHECK	APPROVED	
A		NATURAL			
UNLESS OTHERWISE SPECIFIED TOLERANCE			SEE ABOVE		