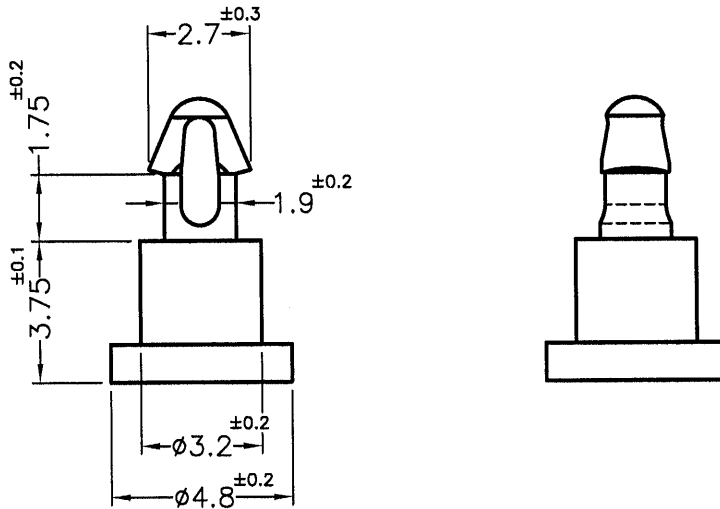





REV	DESCRIPTION	DATE	BY

HOLE IN P.C.B $\phi 2.0$
P.C.B THICKNESS 1.6mm



NOTE:MADE OF EQUIVALENT MATERIAL.
使用同等材質

 康揚企業股份有限公司 KANG YANG HARDWARE ENTERPRISE CO., LTD. 康揚塑膠(東莞)有限公司 KANG YANG PLASTIC(DONG GUAN)CO.,LTD. 康哲電腦配件(吳江)有限公司 KANG CHE COMPUTER COMPONENTS(WUJIANG) CO.,LTD.				TITLE	SPACER SUPPORT	SPEC. DWG.	
				MATERIAL	NYLON 66 UL94V-0	DATE	2016.12.22
PART NUMBER				FINISH	DRAWN	T.C	
MA-3.75V0				COLOR	NATURAL(WHITE)	CHECK	
DRAWING NUMBER				UNLESS OTHERWISE SPECIFIED TOLERANCE	APPROVED		
MA-HV0				SEE ABOVE			
A4	SCALE	UNIT	REV				
	5:1	mm	A				