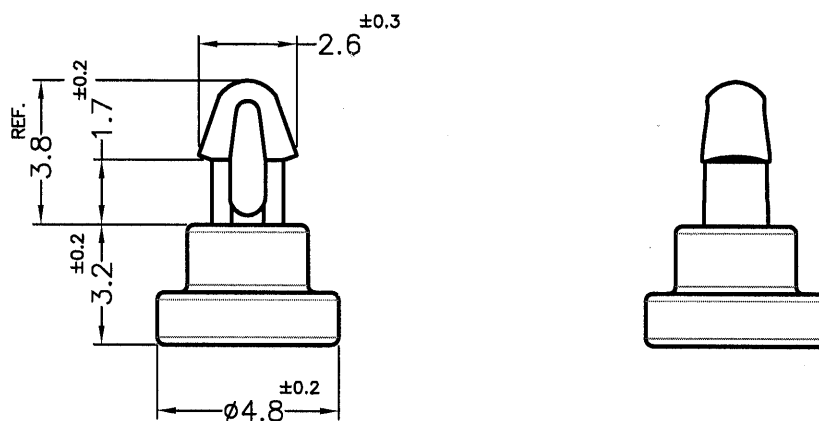

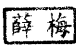


REV	DESCRIPTION	DATE	BY

HOLE IN P.C.B Ø2.0
P.C.B THICKNESS 1.6mm



NOTE:MADE OF EQUIVALENT MATERIAL.
使用同等材質

 <p>康揚企業股份有限公司 KANG YANG HARDWARE ENTERPRISE CO., LTD. 康揚塑膠(東莞)有限公司 KANG YANG PLASTIC(DONG GUAN) CO., LTD. ISO 9001 ISO 14001 QC 085000 康哲電腦配件(吳江)有限公司 KANG CHE COMPUTER COMPONENTS(WUJIANG) CO., LTD.</p>		TITLE SPACER SUPPORT	SPEC. DWG.
		MATERIAL NYLON 66 UL94V-0	DATE 2016.12.22
		FINISH	DRAWN T.C
		COLOR NATURAL(WHITE)	CHECK 
PART NUMBER MA-3.2-1V0	DRAWING NUMBER MA-3.2-1	UNLESS OTHERWISE SPECIFIED TOLERANCE SEE ABOVE	
A4	SCALE 5:1	UNIT mm	REV A
		APPROVED 