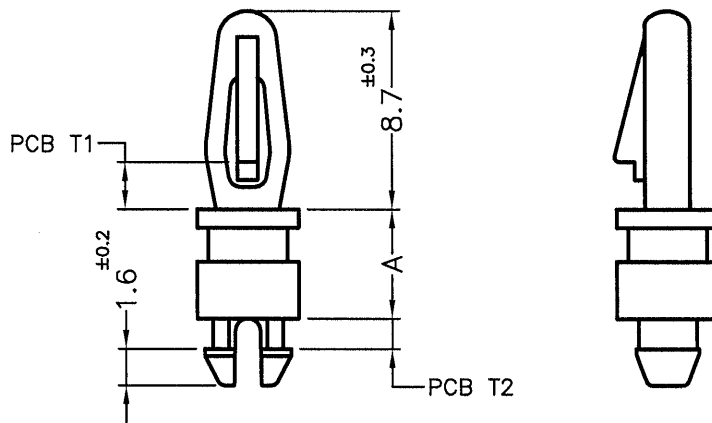


DIM.	TOL
L≤10	±0.2
10<L≤30	±0.3
30<L≤50	±0.5
50<L≤100	±0.7
100<L≤250	±1.2
ABOVE 250	±1.5

REVISIONS			
REV	DESCRIPTION	DATE	BY



HOLE IN P.C.B Ø3.2
T1 P.C.B THICKNESS 1.6mm



HOLE IN P.C.B Ø3.2
T2 P.C.B THICKNESS 1.0~1.2mm

PART NO.	A
LMSB-4V0	4.0

NOTE:MADE OF EQUIVALENT MATERIAL.
均可使用同等材質.

 <p>康揚企業股份有限公司 KANG YANG HARDWARE ENTERPRISE CO., LTD. 康揚塑膠(東莞)有限公司 KANG YANG PLASTIC(DONG GUAN) CO., LTD. 康哲電腦配件(吳江)有限公司 KANG CHE COMPUTER COMPONENTS(WUJIANG) CO., LTD.</p>	TITLE SPACER SUPPORT		SPEC. DWG.	
	MATERIAL NYLON 66 UL94V-0		DATE 2018.05.14	
	FINISH		DRAWN T.C	
	COLOR NATURAL(WHITE)		CHECK 	
PART NUMBER SEE ABOVE	DRAWING NUMBER LMSB-HV0		UNLESS OTHERWISE SPECIFIED TOLERANCE SEE ABOVE	
SIZE A4	SCALE 3:1	UNIT mm	REV A	APPROVED 