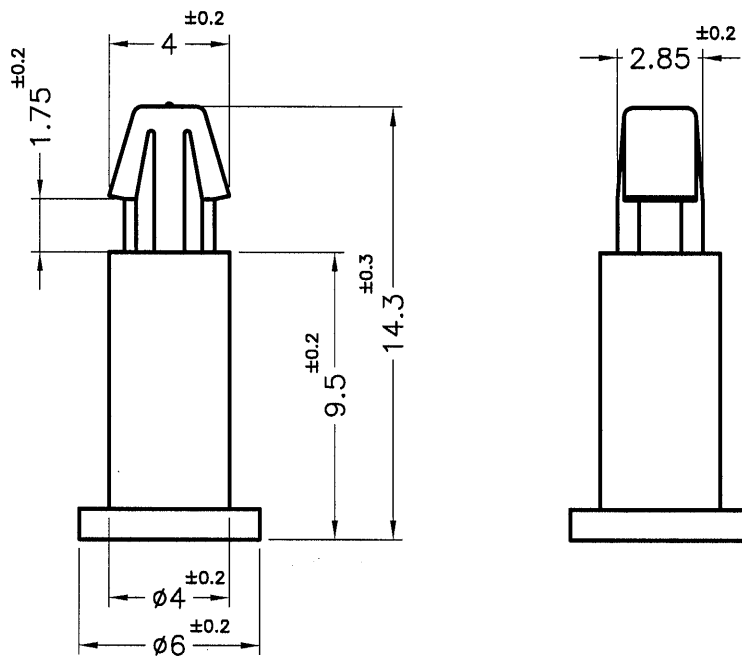

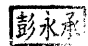
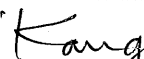


REVISIONS			
REV	DESCRIPTION	DATE	BY

HOLE IN P.C.B  $\phi 3$   
P.C.B THICKNESS 1.2~1.6



- NOTE: 1. MADE OF EQUIVALENT MATERIAL.  
使用同等材質  
2. ALL MEASUREMENT DOES NOT INCLUDE GATE WHICH RAISES UNDER 0.3mm.  
所有尺寸量測皆不含進膠口, 膠口凸出0.3mm之內.

 <b>康揚企業股份有限公司</b> KANG YANG HARDWARE ENTERPRISE CO., LTD. <b>康揚塑膠(東莞)有限公司</b> KANG YANG PLASTIC(DONG GUAN) CO., LTD. <b>康哲電腦配件(吳江)有限公司</b> KANG CHE COMPUTER COMPONENTS(WUJIANG) CO., LTD.				TITLE	SPACER SUPPORT	SPEC. DWG.	
				MATERIAL	NYLON 66 UL94V-2	DATE	2016.06.24
				FINISH		DRAWN	QING
				COLOR	NATURAL	CHECK	
PART NUMBER	DCC-9.5L	DRAWING NUMBER	DCC-9.5L	UNLESS OTHERWISE SPECIFIED TOLERANCE	SEE ABOVE	APPROVED	
SIZE	A4	SCALE	4:1	UNIT	mm	REV	A