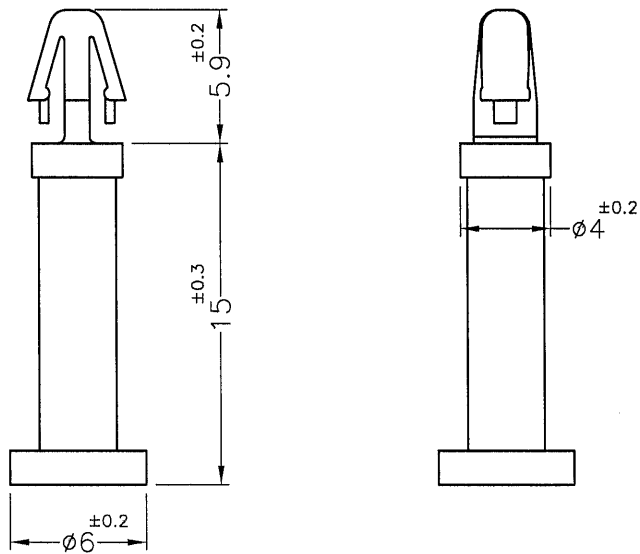




REVISIONS			
REV	DESCRIPTION	DATE	BY

HOLE IN P.C.B:  $\phi 3.0\text{mm}$   
P.C.B THICKNESS: 1.6mm



NOTE: MADE OF EQUIVALENT MATERIAL.  
均可使用同等材質.

 <b>康揚企業股份有限公司</b> KANG YANG HARDWARE ENTERPRISE CO., LTD. <b>康揚塑膠(東莞)有限公司</b> KANG YANG PLASTIC(DONG GUAN) CO., LTD. <b>康哲電腦配件(吳江)有限公司</b> KANG CHE COMPUTER COMPONENTS(WUJIANG) CO., LTD.				TITLE	SPACER SUPPORT	SPEC. DWG.	
				MATERIAL	NYLON 66 UL94V-2	DATE	2017.10.30
				FINISH		DRAWN	C. S. L
				COLOR	NATURAL	CHECK	
PART NUMBER	DCB-15S	DRAWING NUMBER	DCB-15S	UNLESS OTHERWISE SPECIFIED TOLERANCE	SEE ABOVE	APPROVED	<i>Kang</i>
SIZE	A4	SCALE	3:1	UNIT	mm	REV	A