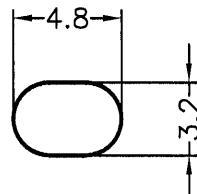
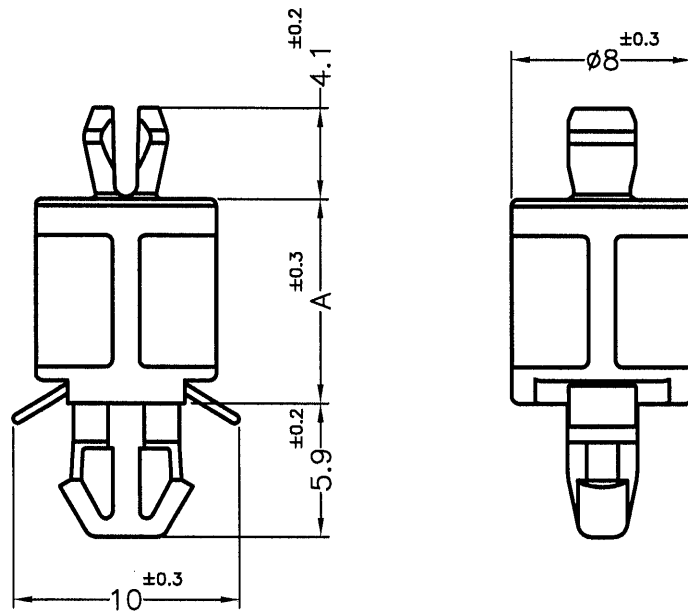


REVISIONS			
REV	DESCRIPTION	DATE	BY




HOLE IN P.C.B $\phi 3.3$
P.C.B THICKNESS 1.6mm



MOUNTING HOLE
THICKNESS 2.7~3.3 mm

PART NO.	A
MSPN-9	9
MSPN-12	12

NOTE:1. SHRINKING IS NORMAL STATUS.
內縮為正常現象。
2. MADE OF EQUIVALENT MATERIAL.
均可使用同等材質。

 <p>康揚企業股份有限公司 KANG YANG HARDWARE ENTERPRISE CO., LTD. 康揚塑膠(東莞)有限公司 KANG YANG PLASTIC(DONG GUAN) CO., LTD. 康哲電腦配件(吳江)有限公司 KANG CHEE COMPUTER COMPONENTS(WUJIANG) CO., LTD.</p>				TITLE	SPACER SUPPORT	TITLE	SPEC. DWG.
				MATERIAL	NYLON 66 UL94V-2	DATE	2017.02.23
				FINISH		DRAWN	Y.C.P
				COLOR	NATURAL	CHECK	
PART NUMBER	SEE ABOVE	DRAWING NUMBER	MSPN-H	UNLESS OTHERWISE SPECIFIED TOLERANCE	SEE ABOVE	APPROVED	
SIZE	A4	SCALE	3:1	UNIT	mm	REV	A