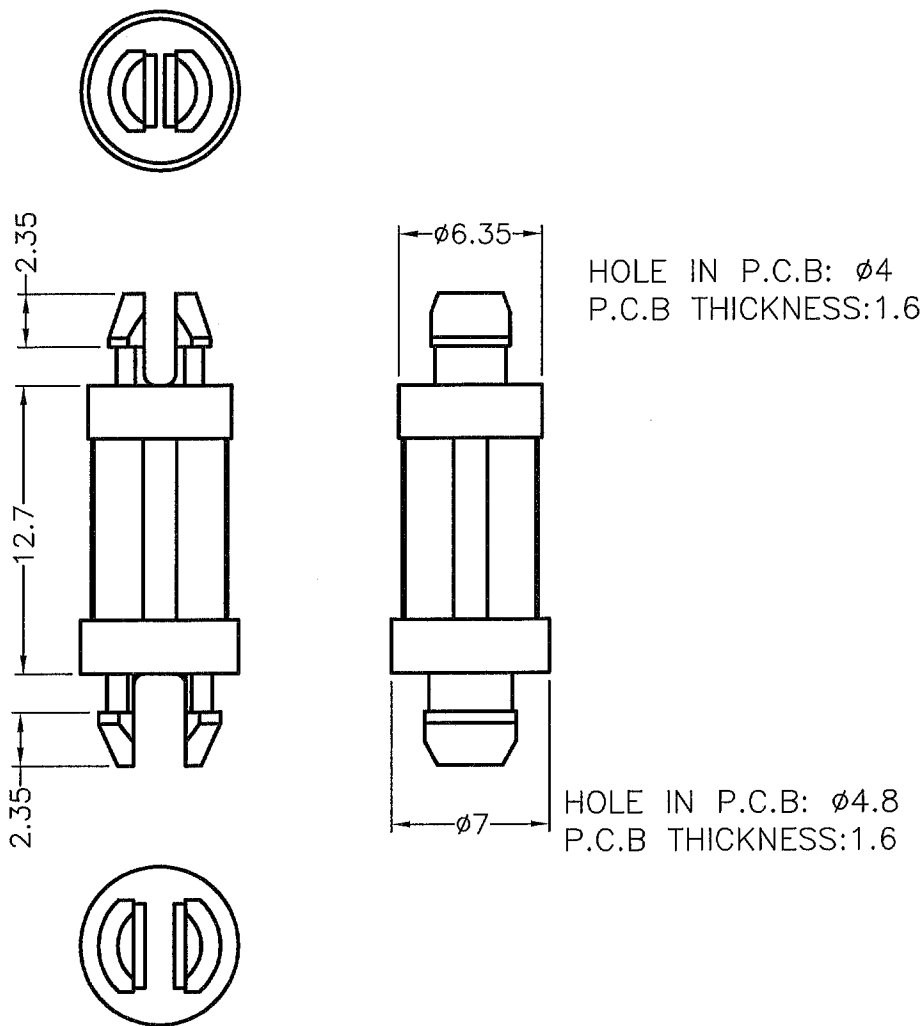

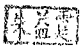



DIM.	TOL
L≤10	±0.2
10<L≤30	±0.3
30<L≤50	±0.5
50<L≤100	±0.7
100<L≤250	±1.2
ABOVE 250	±1.5

REVISIONS			
REV	DESCRIPTION	DATE	BY



NOTE: All measurement does not include gate which raises under 0.3mm.

 <b>康揚企業股份有限公司</b> KANG YANG HARDWARE ENTERPRISE CO., LTD. <b>康揚塑膠(東莞)有限公司</b> KANG YANG PLASTIC(DONG GUAN) CO., LTD. <small>ISO 9001 ISO 14001 QC 030000</small> <b>康哲電腦配件(吳江)有限公司</b> KANG CHE COMPUTER COMPONENTS(WUJIANG) CO., LTD.		TITLE	SPACER SUPPORT	SPEC. DWG.
		MATERIAL	NYLON 66 UL94V-2	DATE
PART NUMBER		DRAWING NUMBER	COLOR	CHECK
MSPK45-12.7		MSPK45-12.7	NATURAL	
SIZE	SCALE	UNIT	REV	APPROVED
A4	3:1	mm	D	
UNLESS OTHERWISE SPECIFIED TOLERANCE			SEE ABOVE	