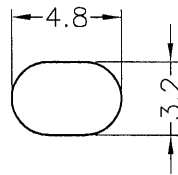
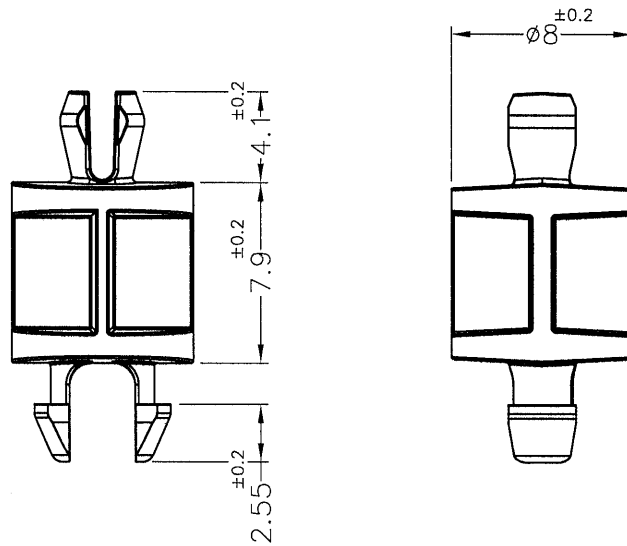




REVISIONS			
REV	DESCRIPTION	DATE	BY

MOUNTING HOLE: $\phi 3.3\text{mm}$
P.C.B THICKNESS: 1.6mm



MOUNTING HOLE
P.C.B THICKNESS: 1.6mm

NOTE: MADE OF EQUIVALENT MATERIAL.
均可使用同等材質.

 康揚企業股份有限公司 KANG YANG HARDWARE ENTERPRISE CO., LTD. 康揚塑膠(東莞)有限公司 KANG YANG PLASTIC(DONG GUAN)CO.,LTD. 康哲電腦配件(吳江)有限公司 KANG CHE COMPUTER COMPONENTS(WUJIANG) CO.,LTD.				TITLE	SPEC. DWG.
				MATERIAL	DATE
				HARDNESS	DRAWN
				COLOR	CHECK
PART NUMBER	DRAWING NUMBER	UNLESS OTHERWISE SPECIFIED TOLERANCE	APPROVED		
SIZE	SCALE	UNIT	REV		