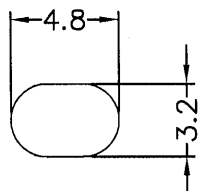
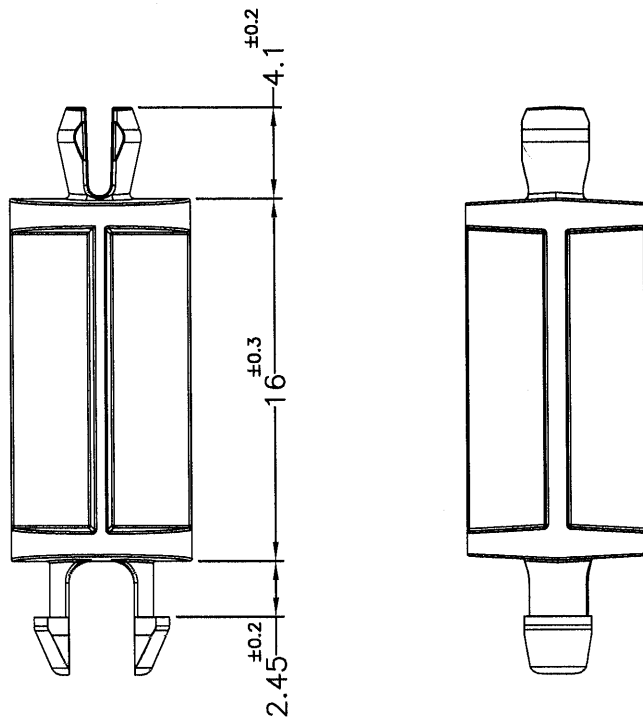



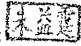
REVISIONS			
REV	DESCRIPTION	DATE	BY

HOLE IN P.C.B $\phi 3.3$
P.C.B THICKNESS 1.6mm



MOUNTING HOLE
THICKNESS 2.16mm

NOTE:MADE OF EQUIVALENT MATERIAL.
可使用同等材質。

 <p>康揚企業股份有限公司 KANG YANG HARDWARE ENTERPRISE CO., LTD. 康揚塑膠(東莞)有限公司 KANG YANG PLASTIC(DONG GUAN) CO., LTD. 康哲電腦配件(吳江)有限公司 KANG CHE COMPUTER COMPONENTS(WUJIANG) CO., LTD.</p>		TITLE	SPACER SUPPORT	SPEC. DWG.	
		MATERIAL	NYLON 66 UL94V-2	DATE	2016.03.22
		HARDNESS		DRAWN	QING
		COLOR	NATURAL	CHECK	
PART NUMBER	MSPD-16	DRAWING NUMBER	MSPD-16	UNLESS OTHERWISE SPECIFIED TOLERANCE	SEE ABOVE
SIZE	A4	SCALE	3:1	UNIT	mm
		REV	A	APPROVED	