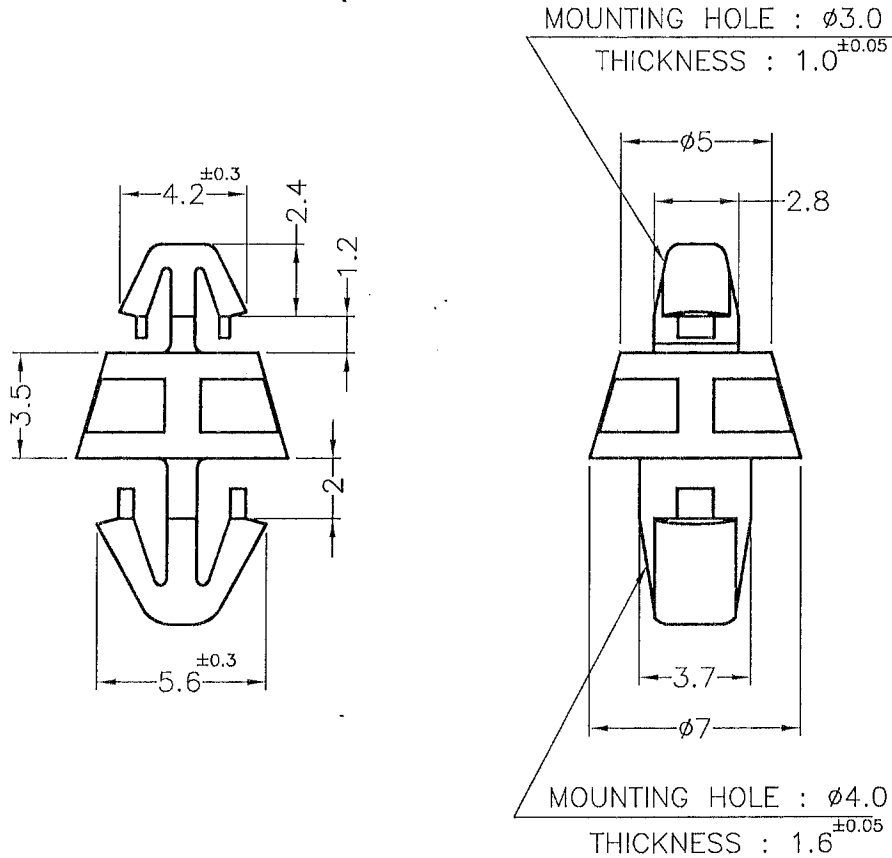


DIM.	TOL
L ≤ 10	±0.2
10 < L ≤ 30	±0.3
30 < L ≤ 50	±0.5
50 < L ≤ 100	±0.7
100 < L ≤ 250	±1.2
ABOVE 250	±1.5

REVISIONS			
REV	DESCRIPTION	DATE	BY



Component - Plastics

E41936

E I DUPONT DE NEMOURS & CO INC
 ENGINEERING POLYMERS, CHESTNUT RUN PLAZA, PO BOX 60713, WILMINGTON DE 19880
 101(r9)(f1), 101F(r9)(f1), 101L(r9)(f1), E101(r9)(f1), E101L(r9)(f1)
 Polyamide 66 (PA66), "Zytel", furnished as pallets

Color	Min Thk (mm)	Flame Class	HWI	HAI	ETec	RTI Imp	RTI Str
ALL	0.71	V-2	4	0	130	76	85
	1.5	V-2	3	0	130	76	85
	3.0	V-2	2	0	130	76	85
	6.0	V-2	2	0	130	76	85

Comparative Tracking Index (CTI): 0
 Dielectric Strength (kV/mm): 13
 High-Voltage Arc Tracking Rate (HVTR): 0
 Dimensional Stability (%): -
 Inclined Plane Tracking (IPT): -
 Volume Resistivity (10¹² ohm-cm): 14
 High Volt. Low Current Arc Resil. (D496): 6

(f1) - Suitable for outdoor use with respect to exposure to Ultraviolet Light, Water Exposure and Immersion in accordance with UL 746C.

NOTE - (1) Material designations that are color pigmented may be followed by suffix letters and numbers. (2) Material designations may be prefixed by "ZYT" for Zytel or "MIN" for Minlon or "DEL" for Delrin or "GRA" for Grastin or "RYN" for Rynite or "ETPV" for ETPV grades.

10 - Virgin and regrind up to 50% by weight inclusive, have the same basic material characteristics for ALL colors down to 0.71mm. For thickness 0.40mm to 0.71mm the same basic material characteristics exist with the exception of generic RTI for all properties and Regrid exceeding 26% is limited to V-2 Flammability for WT, RB, BK.

ANSI Z39.94 small-scale test data does not pertain to building materials, furnishings and related contents. ANSI Z39.94 small-scale test data is intended solely for determining the feasibility of plastic materials used in the components and parts of end-product devices and appliances, where the acceptability of the combination is determined by UL.

Report Date: 1995-07-29
 Last Revised: 2016-07-27

© 2011 Underwriters Laboratories Inc.



 康揚企業股份有限公司 KANG YANG HARDWARE ENTERPRISE CO., LTD. 康揚塑膠(東莞)有限公司 KANG YANG PLASTIC(DONG GUAN) CO., LTD. 康哲電腦配件(吳江)有限公司 KANG CHE COMPUTER COMPONENTS(WUJIANG) CO., LTD.	TITLE		SPACER SUPPORT		SPEC. DWG.			
	MATERIAL		NYLON 66 UL94V-2		DATE		2013.01.21	
	FINISH		NATURAL		DRAWN		C.S.L	
	COLOR		NATURAL		CHECK			
PART NUMBER		DRAWING NUMBER		UNLESS OTHERWISE SPECIFIED TOLERANCE		APPROVED		
MAEA-3.5M		MAEA-3.5M		SEE ABOVE				
SIZE	SCALE	UNIT	REV					
A4	4:1	mm	A					