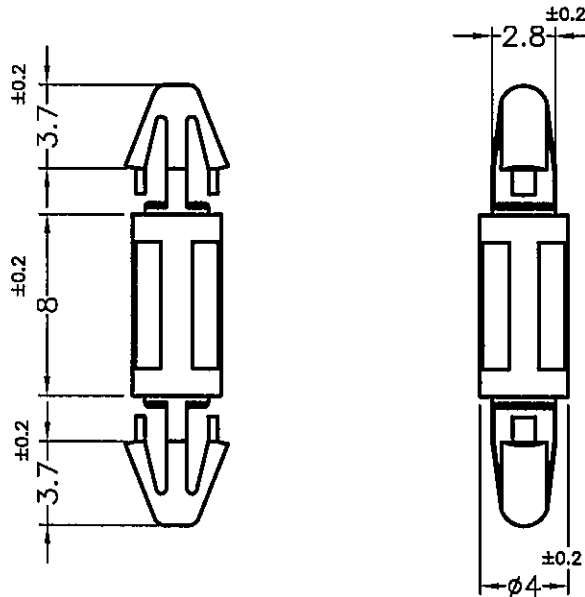


REVISIONS			
REV	DESCRIPTION	DATE	BY




HOLE IN P.C.B $\phi 3$
P.C.B THICKNESS 1.2~1.8



HOLE IN P.C.B $\phi 3$
P.C.B THICKNESS 1.2~1.8

PART NO.	MATERIAL	COLOR
LCVU-8	NYLON 66 UL94V-2	NATURAL
LCVU-8V0	NYLON 66 UL94V-0	NATURAL(WHITE)

NOTE:MADE OF EQUIVALENT MATERIAL.
使用同等材質

 <p>康揚企業股份有限公司 KANG YANG HARDWARE ENTERPRISE CO., LTD. 康揚塑膠(東莞)有限公司 KANG YANG PLASTIC(DONG GUAN) CO., LTD. 康哲電腦配件(吳江)有限公司 KANG CHE COMPUTER COMPONENTS(WUJIANG) CO., LTD.</p>				TITLE	SPACER SUPPORT	SPEC. DWG.	
				MATERIAL	SEE ABOVE	DATE	2012.12.03
				FINISH		DRAWN	C.S.L
				COLOR	SEE ABOVE	CHECK	
PART NUMBER	SEE ABOVE	DRAWING NUMBER	LCVU-8	UNLESS OTHERWISE SPECIFIED TOLERANCE	SEE ABOVE	APPROVED	
SIZE	A4	SCALE	3:1	UNIT	mm	REV	B