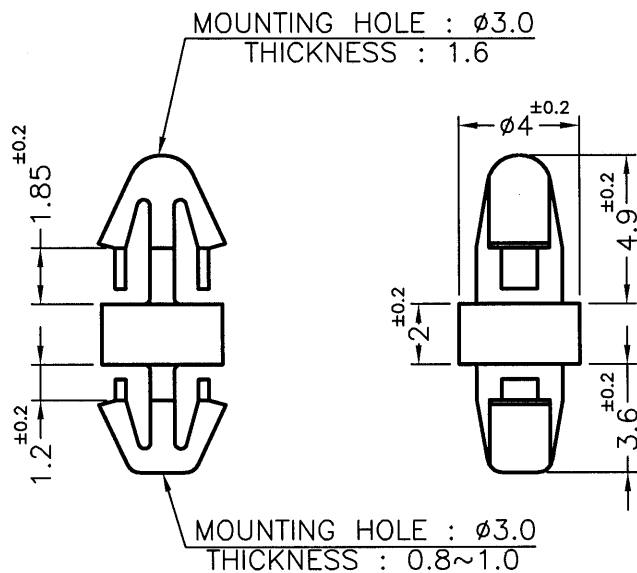

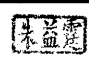


REVISIONS			
REV	DESCRIPTION	DATE	BY



NOTE: MADE OF EQUIVALENT MATERIAL.
均可使用同等材質.

 <p>康揚企業股份有限公司 KANG YANG HARDWARE ENTERPRISE CO., LTD. 康揚塑膠(東莞)有限公司 KANG YANG PLASTIC(DONG GUAN) CO., LTD. 康哲電腦配件(吳江)有限公司 KANG CHE COMPUTER COMPONENTS(WUJIANG) CO., LTD.</p>				TITLE	SPACER SUPPORT	SPEC. DWG.	
				MATERIAL	NYLON 66 UL94V-2	DATE	2006.07.14
				HARDNESS		DRAWN	WEI
PART NUMBER	LCVA-2	DRAWING NUMBER	LCVA-2	COLOR	NATURAL	CHECK	
SIZE	A4	SCALE	4:1	UNIT	mm	REV	A
UNLESS OTHERWISE SPECIFIED TOLERANCE				SEE ABOVE	APPROVED	