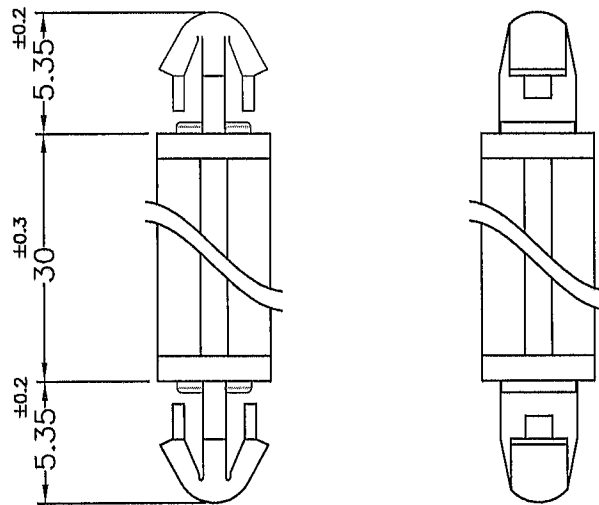



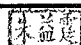
REVISIONS			
REV	DESCRIPTION	DATE	BY

HOLE IN P.C.B $\phi 3.5$
P.C.B THICKNESS 1.6~2.4



HOLE IN P.C.B $\phi 3.5$
P.C.B THICKNESS 1.6~2.4

NOTE:MADE OF EQUIVALENT MATERIAL.
使用同等材質

 康揚企業股份有限公司 KANG YANG HARDWARE ENTERPRISE CO., LTD. 康揚塑膠(東莞)有限公司 KANG YANG PLASTIC(DONG GUAN) CO.,LTD. 康哲電腦配件(吳江)有限公司 KANG CHE COMPUTER COMPONENTS(WUJIANG) CO.,LTD.				TITLE	SPACER SUPPORT	SPEC. DWG
				MATERIAL	NYLON 66 UL94V-2	DATE
PART NUMBER		DRAWING NUMBER		FINISH	DRAWN	
LCI-30L		LCI-HL			LUKE	
SIZE	SCALE	UNIT	REV	COLOR	CHECK	
A4	3:1	mm	A	NATURAL		
UNLESS OTHERWISE SPECIFIED TOLERANCE				SEE ABOVE	APPROVED	
					<i>Kang</i>	