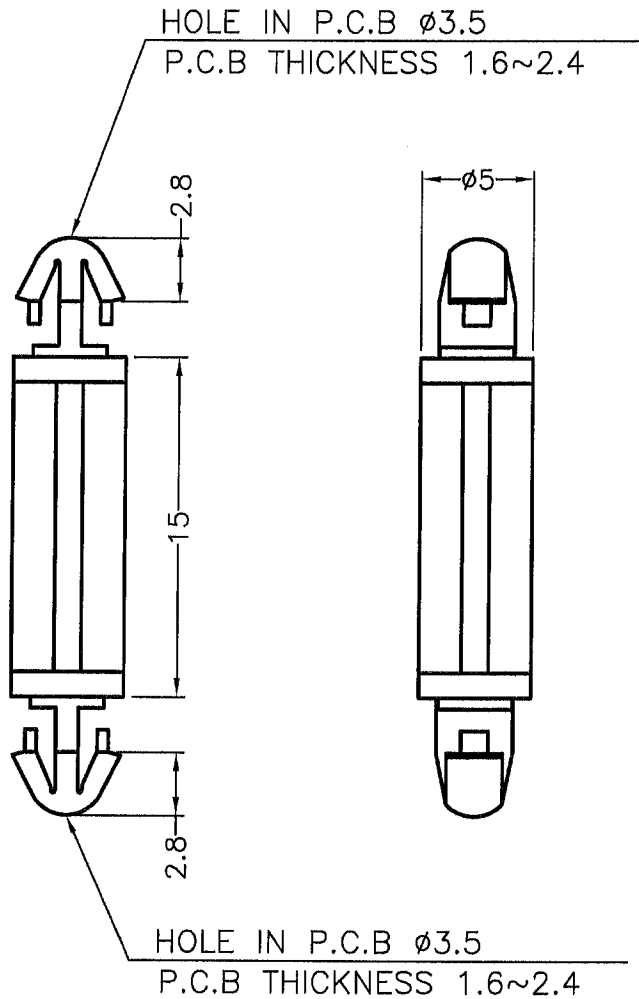

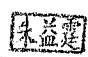



DIM.	TOL
5mm DOWN	±0.2
5~20mm	±0.3
20~40mm	±0.4
40~60mm	±0.5
60~100mm	±0.8
100mm UP	±1.0

REVISIONS			
REV	DESCRIPTION	DATE	BY



NOTE: All measurement does not include gate which raises under 0.3mm.

 <p>康揚企業股份有限公司 KANG YANG HARDWARE ENTERPRISE CO., LTD. 康揚塑膠(東莞)有限公司 KANG YANG PLASTIC(DONG GUAN) CO., LTD. 康哲電腦配件(吳江)有限公司 KANG CHE COMPUTER COMPONENTS(WUJIANG) CO., LTD.</p>	TITLE		SPEC. DWG.	
	SPACER SUPPORT		DATE	2002.11.26
	MATERIAL		DRAWN	AMY
	NYLON 66 UL94V-2		CHECK	
FINISH		UNLESS OTHERWISE SPECIFIED TOLERANCE		
NATURAL		SEE ABOVE		
PART NUMBER	DRAWING NUMBER	APPROVED		
LCI-15(2)	LCI-15(2)			
SIZE	SCALE	UNIT	REV	
A4	3:1	mm	A	