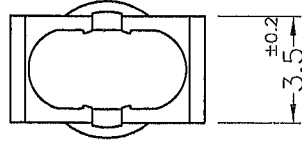
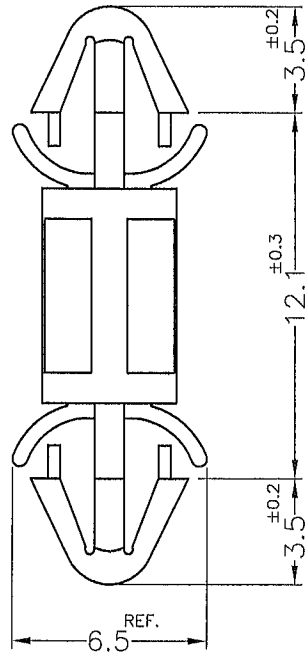


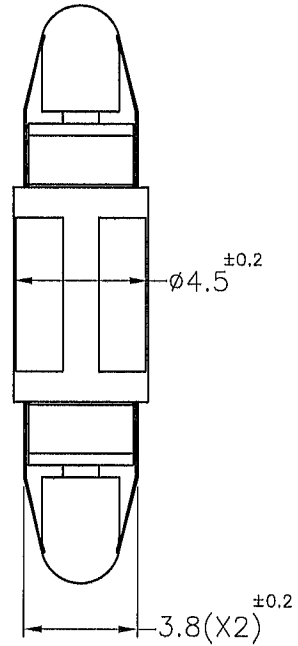
REVISIONS			
REV	DESCRIPTION	DATE	BY





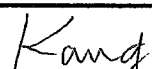
MOUNTING HOLE: $\phi 4.0$
THICKNESS: 1.6mm



MOUNTING HOLE: $\phi 4.0$
THICKNESS: 1.6mm



NOTE: MADE OF EQUIVALENT MATERIAL
均可使用同等材質

 <p>康揚企業股份有限公司 KANG YANG HARDWARE ENTERPRISE CO., LTD. 康揚塑膠(東莞)有限公司 KANG YANG PLASTIC(DONG GUAN) CO., LTD. 康哲電腦配件(吳江)有限公司 KANG CHE COMPUTER COMPONENTS(WUJIANG) CO., LTD.</p>				TITLE	SPACER SUPPORT	SPEC. DWG.	
				MATERIAL	NYLON 66 UL94V-2	DATE	2015.07.23
				FINISH		DRAWN	C.S.L
				COLOR	NATURAL	CHECK	
PART NUMBER	LCFB-8	DRAWING NUMBER	LCFB-8	UNLESS OTHERWISE SPECIFIED TOLERANCE	SEE ABOVE	APPROVED	
SIZE	A4	SCALE	4:1	UNIT	mm	REV	A