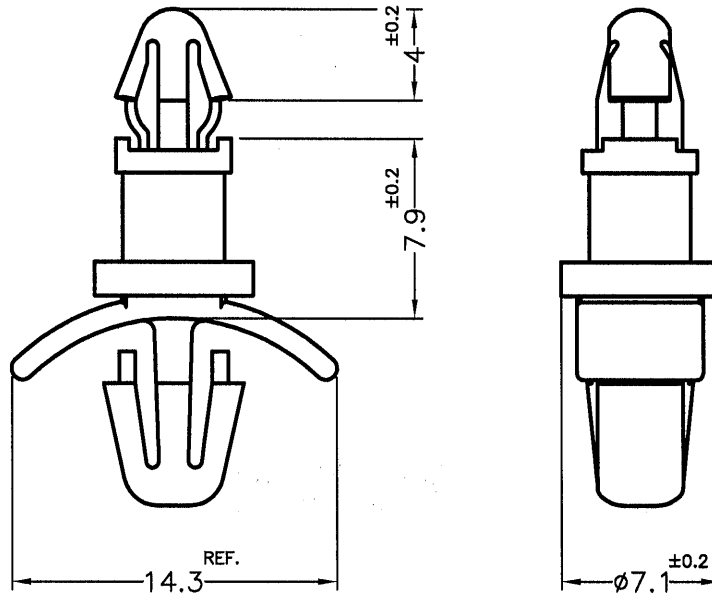



REVISIONS			
REV	DESCRIPTION	DATE	BY

MOUNTING HOLE $\phi 4$
THICKNESS 1.6mm



MOUNTING HOLE $\phi 4.8$
THICKNESS 0.8~2.0mm

- NOTE: 1. SHRINKING IS NORMAL STATUS.
內縮為正常現象。
2. MADE OF EQUIVALENT MATERIAL.
均可使用同等材質。

 <p>康揚企業股份有限公司 KANG YANG HARDWARE ENTERPRISE CO., LTD. 康揚塑膠(東莞)有限公司 KANG YANG PLASTIC(DONG GUAN) CO., LTD. ISO 9001 ISO 14001 QC 080000 康哲電腦配件(吳江)有限公司 KANG CHE COMPUTER COMPONENTS(WUJIANG) CO., LTD.</p>		TITLE SPACER SUPPORT	SPEC. DWG.
		MATERIAL NYLON 66 UL94V-2	DATE 2016.08.29
		FINISH	DRAWN Y.C.P
		COLOR NATURAL	CHECK 薛梅
PART NUMBER LCBC-8	DRAWING NUMBER LCBC-8	UNLESS OTHERWISE SPECIFIED TOLERANCE SEE ABOVE	
SIZE A4	SCALE 3:1	UNIT mm	REV A
		APPROVED 