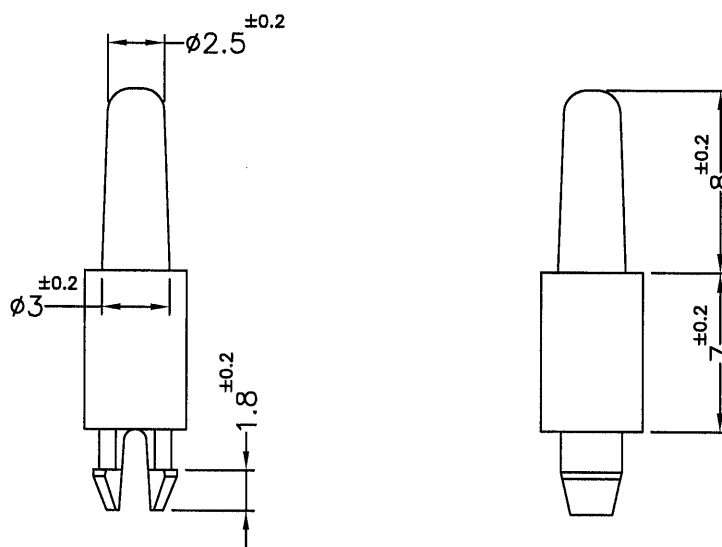



REVISIONS			
REV	DESCRIPTION	DATE	BY



HOLE IN P.C.B  $\phi 3.2\text{mm}$   
P.C.B THICKNESS 1.6mm

PART NO.	COLOR
MSPE-7	NATURAL
MSPE-7(B)	BLACK

NOTE:MADE OF EQUIVALENT MATERIAL.  
均可使用同等材質.

 <p>康揚企業股份有限公司 KANG YANG HARDWARE ENTERPRISE CO., LTD. 康揚塑膠(東莞)有限公司 KANG YANG PLASTIC(DONG GUAN )CO.,LTD. 康哲電腦配件(吳江)有限公司 KANG CHE COMPUTER COMPONENTS(WUJIANG) CO.,LTD.</p>				TITLE	SPACER SUPPORT	SPEC. DWG.		
				MATERIAL	NYLON 66 UL94V-2	DATE	2015.05.20	
				FINISH		DRAWN	Y.C.P	
PART NUMBER		DRAWING NUMBER		COLOR	CHECK			
SEE ABOVE		MSPE-H		SEE ABOVE	薛梅			
SIZE	SCALE	UNIT	REV	UNLESS OTHERWISE SPECIFIED TOLERANCE	APPROVED			
A4	3:1	mm	B	SEE ABOVE	Kang			