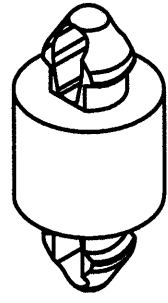
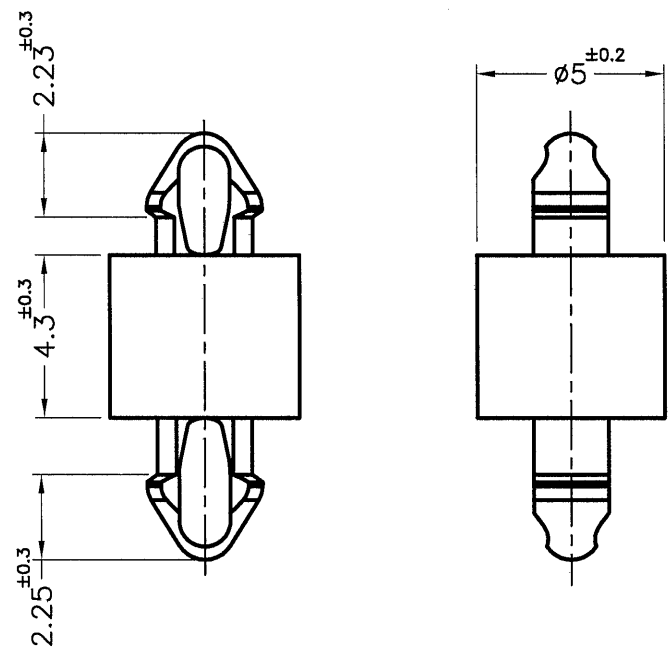


REVISIONS			
REV	DESCRIPTION	DATE	BY


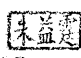
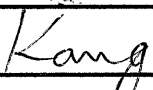


MOUNTING HOLE: $\phi 2.6$
P.C.B THICKNESS: 1.0



MOUNTING HOLE: $\phi 2.5$
P.C.B THICKNESS: 1.6

NOTE: MADE OF EQUIVALENT MATERIAL.
使用同等材質

 康揚企業股份有限公司 KANG YANG HARDWARE ENTERPRISE CO., LTD. 康揚塑膠(東莞)有限公司 KANG YANG PLASTIC(DONG GUAN) CO., LTD. 康哲電腦配件(吳江)有限公司 KANG CHE COMPUTER COMPONENTS(WUJIANG) CO., LTD.		TITLE	SPACER SUPPORT	SPEC. DWG.
		MATERIAL	NYLON 66 UL94V-2	DATE
PART NUMBER		FINISH	DRAWN	Shean
DRAWING NUMBER		COLOR	CHECK	
SIZE	SCALE	UNLESS OTHERWISE SPECIFIED TOLERANCE	APPROVED	
A4	5:1	SEE ABOVE		
UNIT	REV			
mm	A			