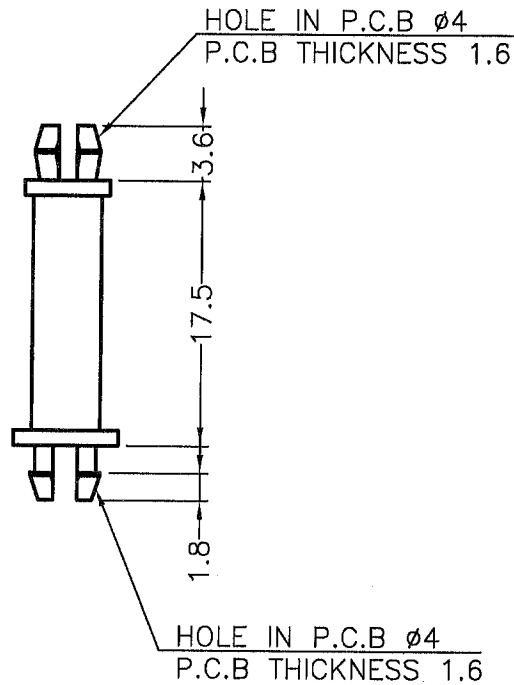

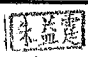



DIM.	TOL.
L≤10	±0.2
10<L≤30	±0.3
30<L≤50	±0.5
50<L≤100	±0.7
100<L≤250	±1.2
ABOVE 250	±1.5

REVISIONS			
REV	DESCRIPTION	DATE	BY



NOTE: All measurement does not include gate which raises under 0.3mm.

 <p>康揚企業股份有限公司 KANG YANG HARDWARE ENTERPRISE CO., LTD. 康揚塑膠(東莞)有限公司 KANG YANG PLASTIC(DONG GUAN) CO., LTD. 康哲電腦配件(吳江)有限公司 KANG CHE COMPUTER COMPONENTS(WUJIANG) CO., LTD.</p>	TITLE		SPEC. DWG.	
	SPACER SUPPORT		MATERIAL	DATE
	NYLON 66 UL94V-2		2011.01.21	
FINISH		DRAWN		Eric
COLOR		CHECK		
NATURAL		UNLESS OTHERWISE SPECIFIED TOLERANCE		APPROVED
SEE ABOVE				
PART NUMBER	DRAWING NUMBER			
DMSPS-17.5	DMSPS-17.5			
SIZE	SCALE	UNIT	REV	
A4	2:1	mm	A	