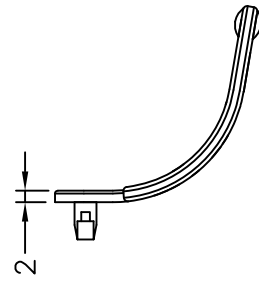
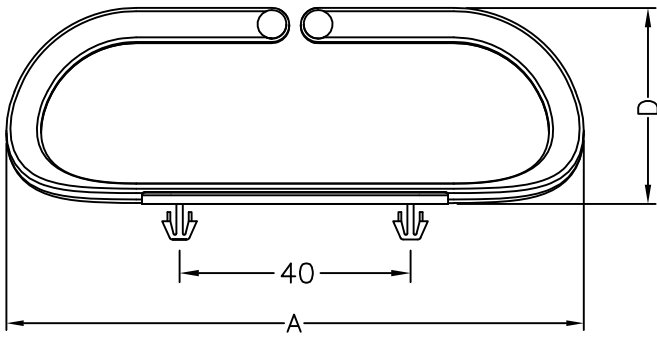


HOLE : ϕG
 THICKNESS: T



PART NO.	A	D	G	T
WUCD-100	100	34	4.0	2.8

NOTE: A, D