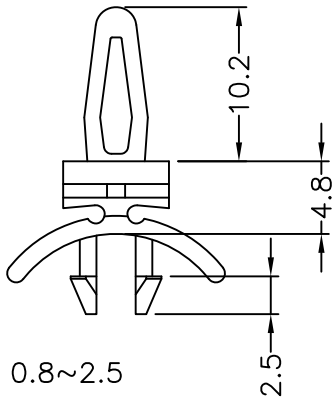
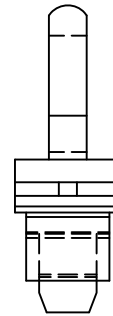


P.C.B ϕ 3.8
THICKNESS 1.6



P.C.B ϕ 4.8
THICKNESS 0.8~2.5



PART NO.

UCBS-5A

NOTE:D