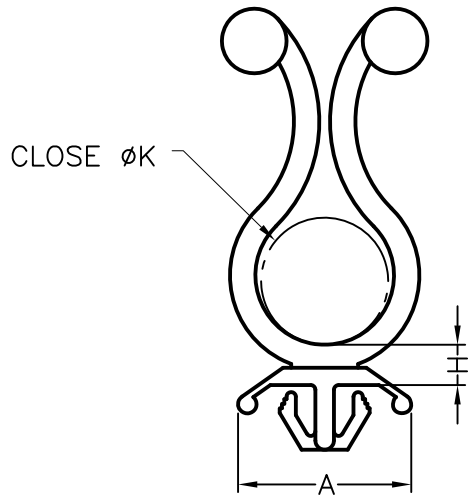


MOUNTING HOLES



PART NO.	A	C	H	K	L
THG-12	15	7	3.5	11	38.3

NOTE: A, D