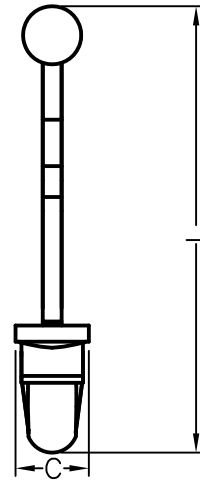
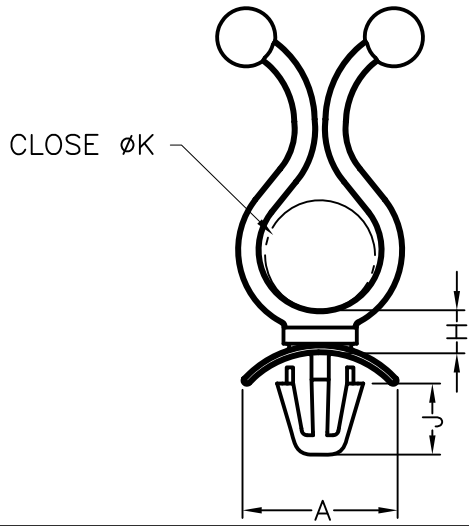


HOLE : ϕG
 THICKNESS: T



PART NO.	A	C	H	J	K	L	G	T
THD-3	15.9	6.8	4	6.6	10.2~12.7	41.4	6	0.78~2

NOTE: A, D