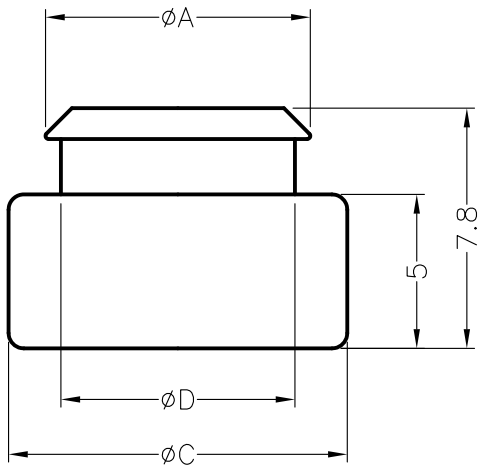


MOUNTING HOLE ϕB
THICKNESS E



| PART NO. | A | B | C | D | E |
|-----------|-----|---------|----|-----|---------|
| TF-140IV0 | 8.6 | 7.0~7.3 | 11 | 7.6 | 1.0~1.5 |