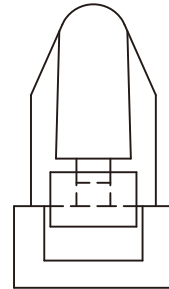
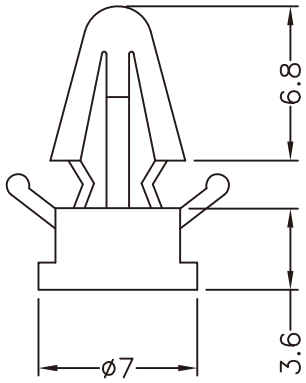


THICKNESS 1.2~1.7



PART NO.

TCBT-3.6

NOTE:D