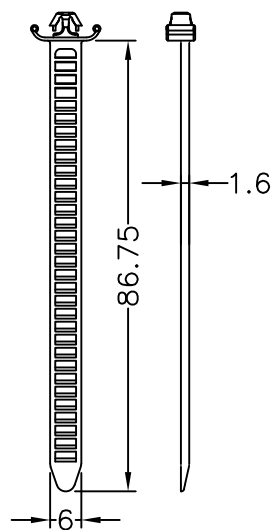
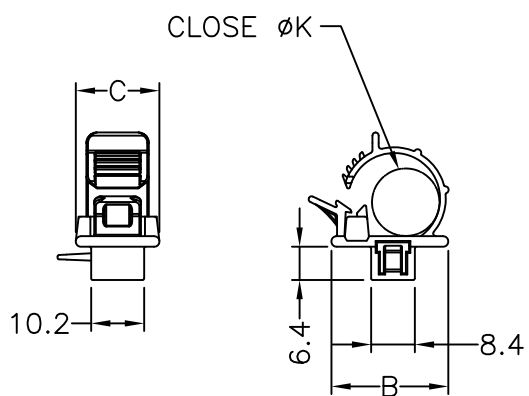


HOLE : G
THICKNESS: T



PART NO.	K	B	C	G	T
SWPL-25H	11~13	22.5	16.1	4.8	0.8~2.0

NOTE:A, D