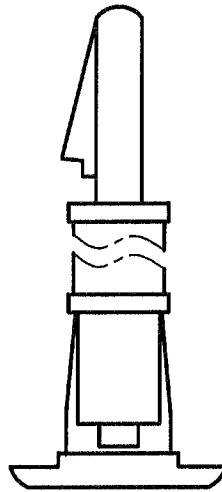
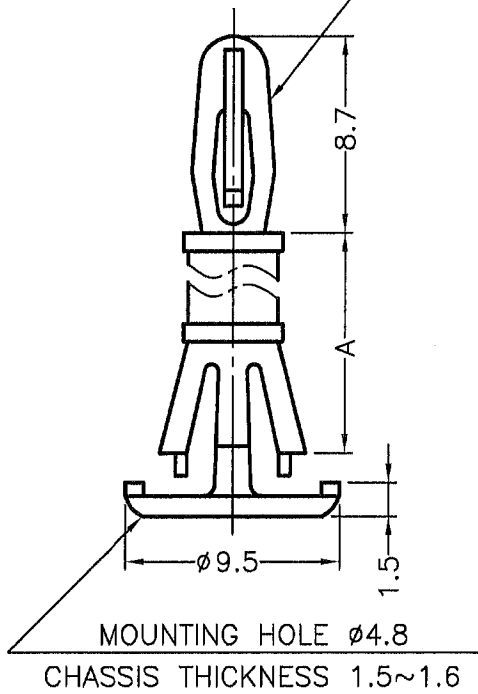


DIM.	TOL
5mm DOWN	±0.2
5~20mm	±0.3
20~40mm	±0.4
40~60mm	±0.5
60~100mm	±0.8
100mm UP	±1.0


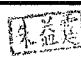
REVISIONS			
REV	DESCRIPTION	DATE	BY

MOUNTING HOLE $\phi 3.2$
CHASSIS THICKNESS 1.2~1.7



PART NO.	A
RCW-7.9	7.9
RCW-11.1	11.1
RCW-12.7	12.7
RCW-14.3	14.3
RCW-15.9	15.9

NOTE: All measurement does not include gate which raises under 0.3mm.

 <p>康揚企業股份有限公司 KANG YANG HARDWARE ENTERPRISE CO., LTD. 康揚塑膠(東莞)有限公司 KANG YANG PLASTIC(DONG GUAN) CO., LTD. 康哲電腦配件(吳江)有限公司 KANG CHE COMPUTER COMPONENTS(WUJIANG) CO., LTD.</p>	TITLE SPACER SUPPORT		SPEC. DWG.	
	MATERIAL NYLON 66 UL94V-2		DATE 2008.02.15	
	FINISH		DRAWN Lung	
	COLOR NATURAL		CHECK 	
PART NUMBER SEE ABOVE	DRAWING NUMBER RCW-H		UNLESS OTHERWISE SPECIFIED TOLERANCE SEE ABOVE	
SIZE A4	SCALE NONE	UNIT mm	REV A	APPROVED 