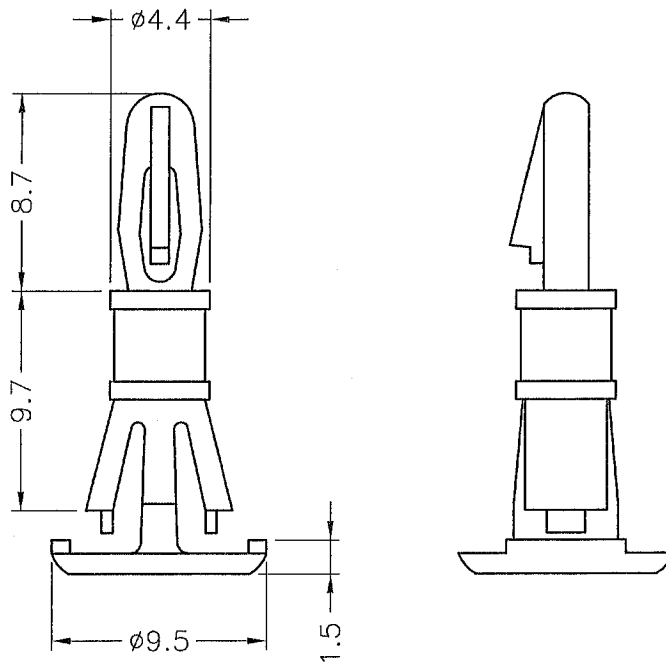


DIM.	TOL
5mm DOWN	±0.2
5~20mm	±0.3
20~40mm	±0.4
40~60mm	±0.5
60~100mm	±0.8
100mm UP	±1.0



REVISIONS			
REV	DESCRIPTION	DATE	BY

MOUNTING HOLE : $\phi 3.18$
THICKNESS : 1.2~1.7



MOUNTING HOLE : $\phi 4.75^{+0.05}$
THICKNESS : 1.5~1.6

NOTE: All measurement does not include gate which raises under 0.3mm.

 <p>康揚企業股份有限公司 KANG YANG HARDWARE ENTERPRISE CO., LTD. 康揚塑膠(東莞)有限公司 KANG YANG PLASTIC(DONG GUAN) CO., LTD. 康哲電腦配件(吳江)有限公司 KANG CHE COMPUTER COMPONENTS(WUJIANG) CO., LTD.</p>	TITLE	SPACER SUPPORT	SPEC. DWG.
	MATERIAL	NYLON 66 UL94V-2	DATE 2004.09.23
	FINISH		DRAWN <i>Linda</i>
	COLOR	NATURAL	CHECK 
PART NUMBER RCW-9.7	DRAWING NUMBER RCW-9.7	UNLESS OTHERWISE SPECIFIED TOLERANCE SEE ABOVE	APPROVED <i>Kang</i>
SIZE A4	SCALE 3:1	UNIT mm	REV A