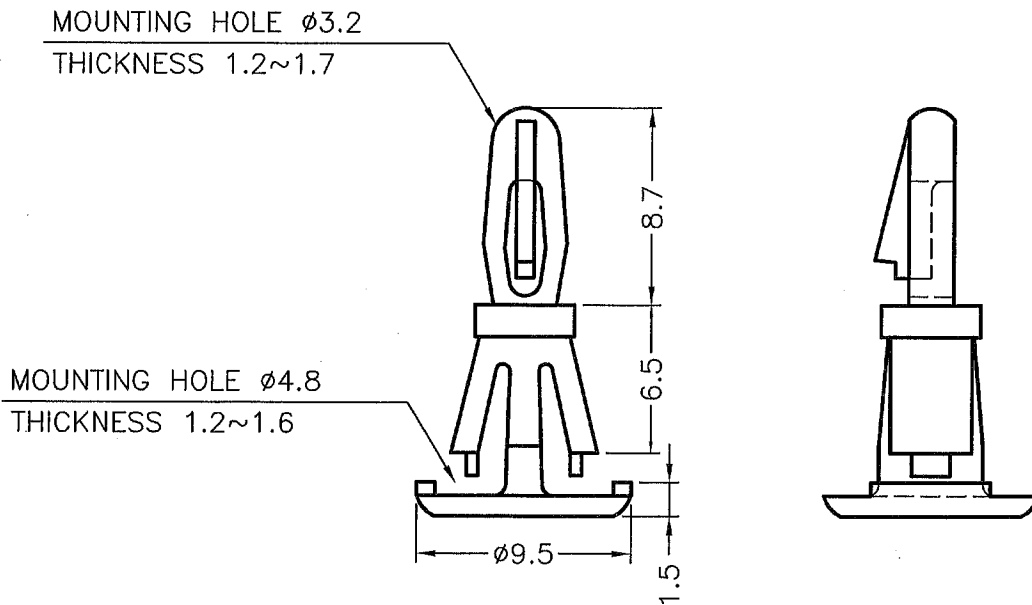


DIM.	TOL.
5mm DOWN	±0.2
5~20mm	±0.3
20~40mm	±0.4
40~60mm	±0.5
60~100mm	±0.8
100mm UP	±1.0

REVISIONS			
REV	DESCRIPTION	DATE	BY



PART NO.	COLOR
RCW-6.5	NATURAL
RCW-6.5(B)	BLACK

NOTE: All measurement does not include gate which raises under 0.3mm.

Component - Plastic E41938

E I DUPONT DE NEMOURS & CO INC
ENGINEERING POLYMERS, CHESTNUT RUN PLAZA, PO BOX 80713, WILMINGTON DE 19883

101(r9)(f1), 101F(r9)(f1), 101L(r9)(f1), E101(r9)(f1), E101L(r9)(f1)
Polyamide 66 (PA66), "Zytel", furnished as pellets.

Color	Min Thk (mm)	Flame Class	HWI	HAI	RTI Elec	RTI Imp	RTI Str
ALL	0.71	V-2	4	0	130	75	85
	1.5	V-2	3	0	130	75	85
	3.0	V-2	2	0	130	75	85
	6.0	V-2	2	0	130	75	85

Comparative Tracking Index (CTI): 0
Dielectric Strength (kV/mm): 13
High-Voltage Arc Tracking Rate (HVTR): 0
Dimensional Stability (%): -

Included Flame Tracking (IFT): -
Volume Resistivity (10¹² ohm-cm): 14
High Volt, Low Current Arc Resale (C485): 6

(f1) - Suitable for outdoor use with respect to exposure to Ultraviolet Light, Water Exposure and Immersion in accordance with UL 746C.

NOTE - (f1) Material designations that are color pigmented may be followed by suffix letters and numbers. (f) Material designations may be prefixed by "Z" for Zytel or "M" for Minlon or "DEL" for Deltin or "GRA" for Gratin or "RIV" for Rivin or "ETPV" for ETPV grades.

r9 - Virgin and regrid (up to 25% by weight inclusive) have the same basic material characteristics for ALL colors down to 0.71mm. For thickness 0.40mm to 0.70mm the same basic material characteristics exist with the exception of generic RTI for all properties and Regrid exceeding 25% is limited to V-2 Flammability for WT, RD, BK.

ANSI/UL 94 small-scale test data does not pertain to building materials, furnishings or related products. ANSI/UL 94 small-scale test data is intended solely for determining the flammability of plastic materials used in the construction and parts of end-product devices and appliances, where the acceptability of the construction is determined by UL.

Report Date: 1993-07-29
Last Revised: 2010-07-27
© 2011 Underwriters Laboratories Inc.

NYLON 66 UL94V-2 or EQUIVALENT

<p>康揚企業股份有限公司 KANG YANG HARDWARE ENTERPRISE CO., LTD. 康揚塑膠(東莞)有限公司 KANG YANG PLASTIC(DONG GUAN) CO., LTD. 康哲電腦配件(吳江)有限公司 KANG CHE COMPUTER COMPONENTS(WUJIANG) CO., LTD.</p>	TITLE		SPACER SUPPORT		SPEC. DWG.		
	MATERIAL		NYLON 66 UL94V-2		DATE		2005.02.01
	FINISH				DRAWN		Linda
	COLOR		SEE ABOVE		CHECK		
PART NUMBER	DRAWING NUMBER		UNLESS OTHERWISE SPECIFIED TOLERANCE		APPROVED		Kang
SEE ABOVE	RCW-6.5		SEE ABOVE				
SIZE	SCALE	UNIT	REV				
A4	3:1	mm	B				