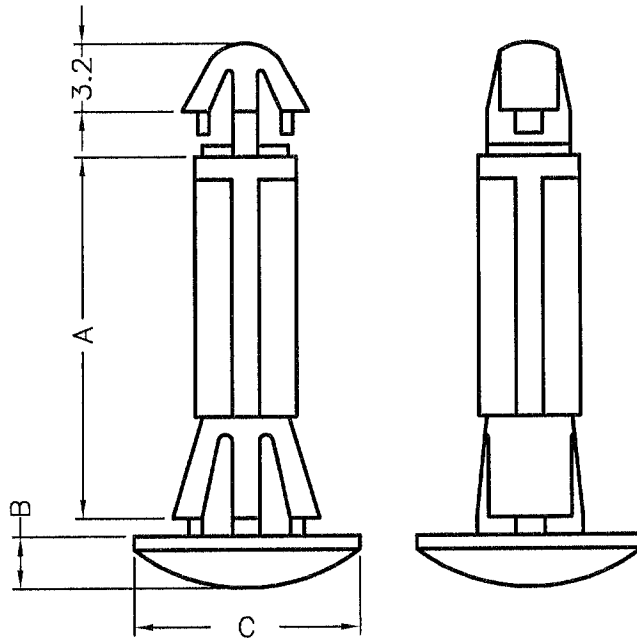


DIM.	TOL.
5mm DOWN	±0.2
5~20mm	±0.3
20~40mm	±0.4
40~60mm	±0.5
60~100mm	±0.8
100mm UP	±1.0

REVISIONS			
REV	DESCRIPTION	DATE	BY


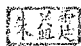
HOLE IN P.C.B $\phi 4.0$
P.C.B THICKNESS 1.2~1.6



HOLE IN CHASSIS $\phi 5.0$
CHASSIS THICKNESS 0.8~1.8

PART NO.	A	B	C
RCS-6	6.0	2.3	9.7
RCS-13.8	13.8	2.25	10.0
RCS-16	16.0	2.3	9.7

NOTE: All measurement does not include gate which raises under 0.3mm.

 康揚企業股份有限公司 KANG YANG HARDWARE ENTERPRISE CO., LTD. 康揚塑膠(東莞)有限公司 KANG YANG PLASTIC(DONG GUAN) CO., LTD. ISO 9001 ISO 14001 QC 080000 康哲電腦配件(吳江)有限公司 KANG CHEE COMPUTER COMPONENTS(WUJIANG) CO., LTD.				TITLE	SPEC. DWG.
				SPACER SUPPORT	
PART NUMBER		DRAWING NUMBER	MATERIAL	DATE	
SEE ABOVE		RCS-H	NYLON 66 UL94V-2	1998.03.11	
SIZE		UNIT	FINISH	DRAWN	
A4	SCALE NONE	mm		LIN	
SCALE		REV	COLOR	CHECK	
NONE		B	NATURAL		
UNLESS OTHERWISE SPECIFIED TOLERANCE			APPROVED		
SEE ABOVE			