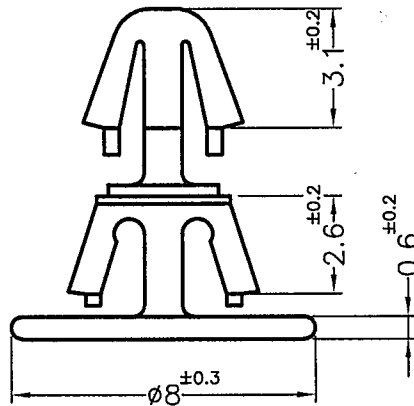


MOUNTING HOLE $\phi 3.0\text{mm}$
THICKNESS 1.6mm



MOUNTING HOLE $\phi 4.0\text{mm}$
THICKNESS 0.5mm

PART NO.	MATERIAL	COLOR
RCI-2.6	NYLON 66 UL94V-2	NATURAL
RCI-2.6V0	NYLON 66 UL94V-0	NATURAL(WHITE)

NOTE: 1. SHRINKING IS NORMAL STATUS.
內縮屬正常現象。
2. MADE OF EQUIVALENT MATERIAL.
可使用同等材質。



康揚企業股份有限公司
KANG YANG HARDWARE ENTERPRISE CO., LTD.
康揚塑膠(東莞)有限公司
KANG YANG PLASTIC(DONG GUAN)CO.,LTD.
康哲電腦配件(吳江)有限公司
KANG CHE COMPUTER COMPONENTS(WUJIANG)CO.,LTD.

PROPRIETARY AND CONFIDENTIAL THE INFORMATION CONTAINED IN THIS DRAWING IS THE SOLE PROPERTY OF KANG YANG HARDWARE ENTERPRISE CO. ANY REPRODUCTION IN PART OR AS A WHOLE WITHOUT THE WRITTEN PERMISSION OF KANG YANG HARDWARE ENTERPRISE CO. IS PROHIBITED. DO NOT SCALE DRAWING	DATE	TITLE		DWG. NO.	PART NO.	
	2009.11.26	SPACER SUPPORT		RCI-2.6	SEE ABOVE	
	DRAWN	MATERIAL				
	Eric	SEE ABOVE		SIZE	SPEC. DWG.	REV
CHECKED	COLOR	FINISH	A4	B		
APPROVED	UNLESS OTHERWISE SPECIFIED TOLERANCE:		SCALE: 5:1	UNIT	SHEET 1 OF 1	
	SEE ABOVE			mm		