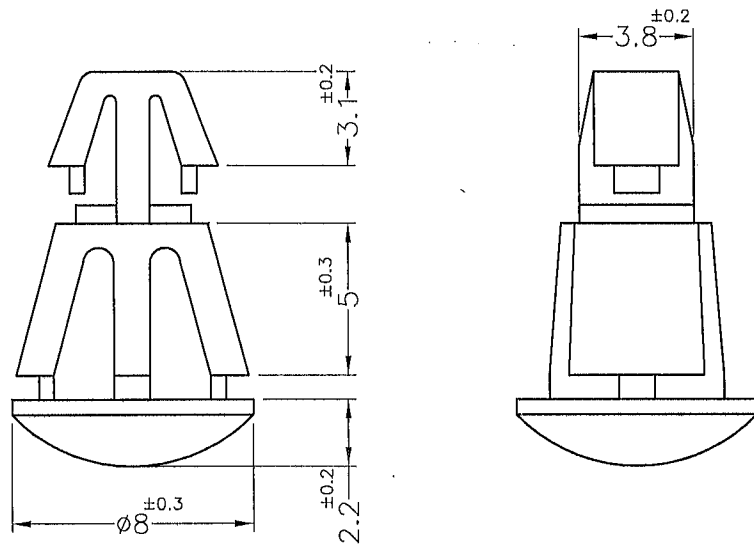




REVISIONS			
REV	DESCRIPTION	DATE	BY

HOLE IN P.C.B: $\phi 4.0$
P.C.B THICKNESS: 1.2~1.7



HOLE IN CHASSIS: $\phi 6.0$
CHASSIS THICKNESS: 0.8~1.6

NOTE: MADE OF EQUIVALENT MATERIAL.
均可使用同等材質

 <p>康揚企業股份有限公司 KANG YANG HARDWARE ENTERPRISE CO., LTD. 康揚塑膠(東莞)有限公司 KANG YANG PLASTIC(DONG GUAN) CO., LTD. 康哲電腦配件(吳江)有限公司 KANG CHE COMPUTER COMPONENTS(WUJIANG) CO., LTD.</p>		TITLE	SPACER SUPPORT	SPEC. DWG.	
		MATERIAL	NYLON 66 UL94V-2	DATE	2009.08.18
		FINISH		DRAWN	JIM
		COLOR	NATURAL	CHECK	
PART NUMBER	RCF-5S	DRAWING NUMBER	RCF-5S	UNLESS OTHERWISE SPECIFIED TOLERANCE	SEE ABOVE
SIZE	A4	SCALE	4:1	UNIT	mm
		REV	B	APPROVED	