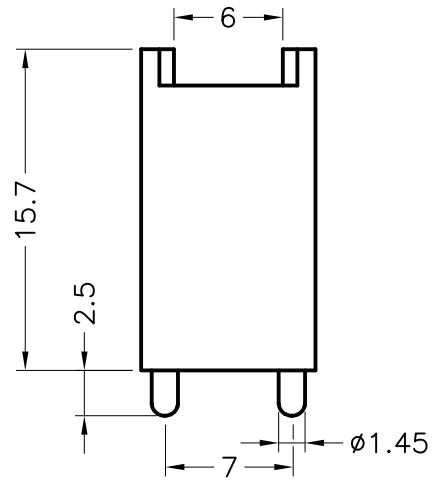
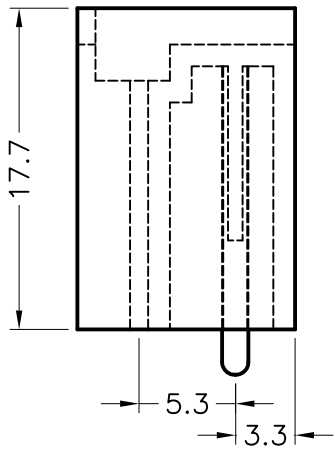


MOUNTING HOLES



PART NO.
RCEB-15.7