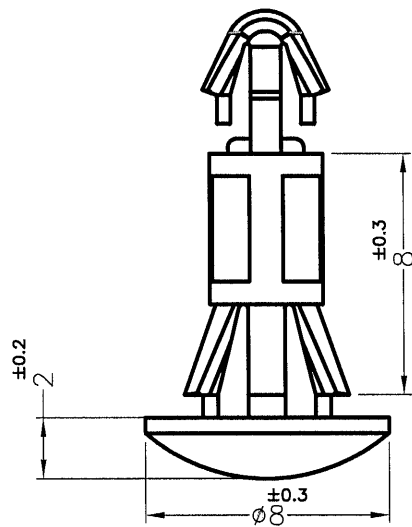




REVISIONS			
REV	DESCRIPTION	DATE	BY

HOLE IN P.C.B $\phi 3$
P.C.B THICKNESS 1.80mm



HOLE IN CHASSIS $\phi 4.0$
CHASSIS THICKNESS 0.8~1.6mm

- NOTE:1. SHRINKING IS NORMAL STATUS.
內縮為正常現象。
2. MADE OF EQUIVALENT MATERIAL.
均可使用同等材質。

 <p>康揚企業股份有限公司 KANG YANG HARDWARE ENTERPRISE CO., LTD. 康揚塑膠(東莞)有限公司 KANG YANG PLASTIC(DONG GUAN) CO., LTD. 康哲電腦配件(吳江)有限公司 KANG CHE COMPUTER COMPONENTS(WUJIANG) CO., LTD.</p>				TITLE	SPEC. DWG.
				MATERIAL	DATE
				FINISH	DRAWN
				COLOR	CHECK
PART NUMBER	DRAWING NUMBER	UNLESS OTHERWISE SPECIFIED TOLERANCE		APPROVED	
RCA-8LV0(B)	RCA-HLV0	SEE ABOVE			
SIZE	SCALE	UNIT	REV		
A4	4:1	mm	A		