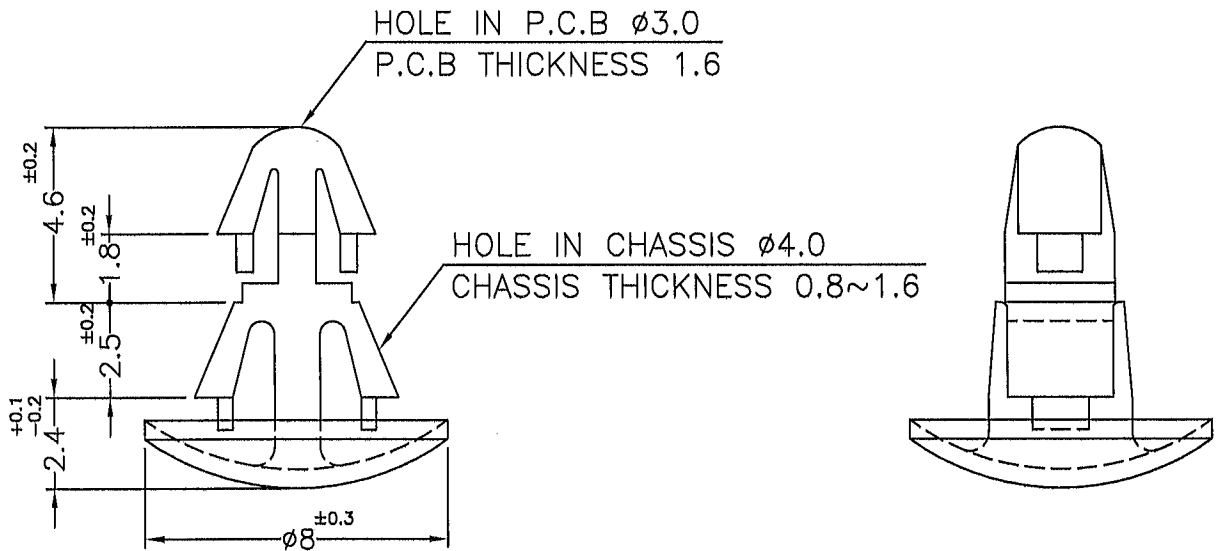

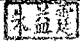


REVISIONS			
REV	DESCRIPTION	DATE	BY



PART NO.	COLOR
RCA-2.5U	NATURAL
RCA-2.5U(B)	BLACK

NOTE: MADE OF EQUIVALENT MATERIAL.
可使用同等材質。

 康揚企業股份有限公司 KANG YANG HARDWARE ENTERPRISE CO., LTD. 康揚塑膠(東莞)有限公司 KANG YANG PLASTIC(DONG GUAN) CO., LTD. 康哲電腦配件(吳江)有限公司 KANG CHE COMPUTER COMPONENTS(WUJIANG) CO., LTD.				TITLE	SPACER SUPPORT	TITLE	SPEC. DWG
				MATERIAL	NYLON 66 UL94V-2	DATE	2005.12.16
PART NUMBER				COLOR	SEE ABOVE	CHECK	
DRAWING NUMBER				UNLESS OTHERWISE SPECIFIED TOLERANCE	SEE ABOVE	APPROVED	<i>Kang</i>
SIZE	A4	SCALE	5:1	UNIT	mm	REV	B