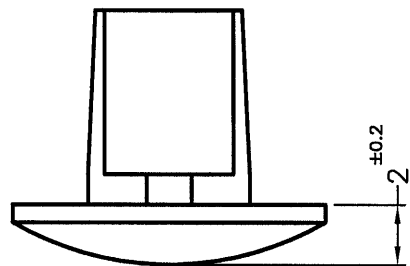
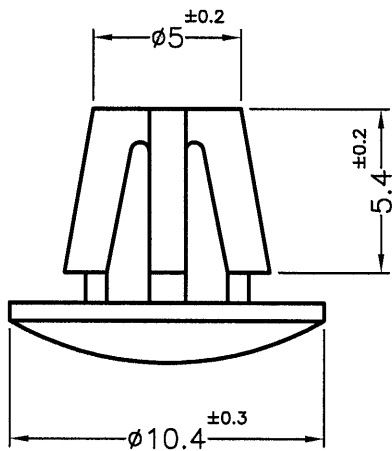


REVISIONS			
REV	DESCRIPTION	DATE	BY



HOLE IN CHASSIS $\phi 5.5$
CHASSIS THICKNESS 1.2~1.8mm

PART NO.	COLOR
RAS-5	NATURAL
RAS-5(B)	BLACK

NOTE:MADE OF EQUIVALENT MATERIAL.
均可使用同等材質.

				TITLE	SPACER SUPPORT	SPEC. DWG.	
				MATERIAL	NYLON 66 UL94V-2	DATE	1998.04.07
				FINISH		DRAWN	Linda
PART NUMBER	SEE BOVE	DRAWING NUMBER	RAS-5H	COLOR	SEE ABOVE	CHECK	
SIZE	A4	SCALE	4:1	UNIT	mm	REV	B
				UNLESS OTHERWISE SPECIFIED TOLERANCE	SEE ABOVE	APPROVED	